

Morssinkhof Catalogue

2008 Rev4A

REM B MORSSINKHOF
HYDRAULICS GROUP

MORSSINKHOF HYDRAULICS HIGH QUALITY SPARE PARTS



MORSSINKHOF HYDRAULICS

Divisie Sales Units & Parts
Edisonweg 12 - NL-3208 KB Spijkenisse
Tel.: +31 (0) 181 69 26 66
Fax: +31 (0) 181 61 69 06
info@morssinkhof-hydraulics.com



Divisie Sales Units & Parts
Vaartstraat 69, B-2340 Beerse
Tel.: +32 (0) 14 62 28 60
Fax: +32 (0) 14 60 97 87
info@remb.be

www.rembmh-hydraulic.com

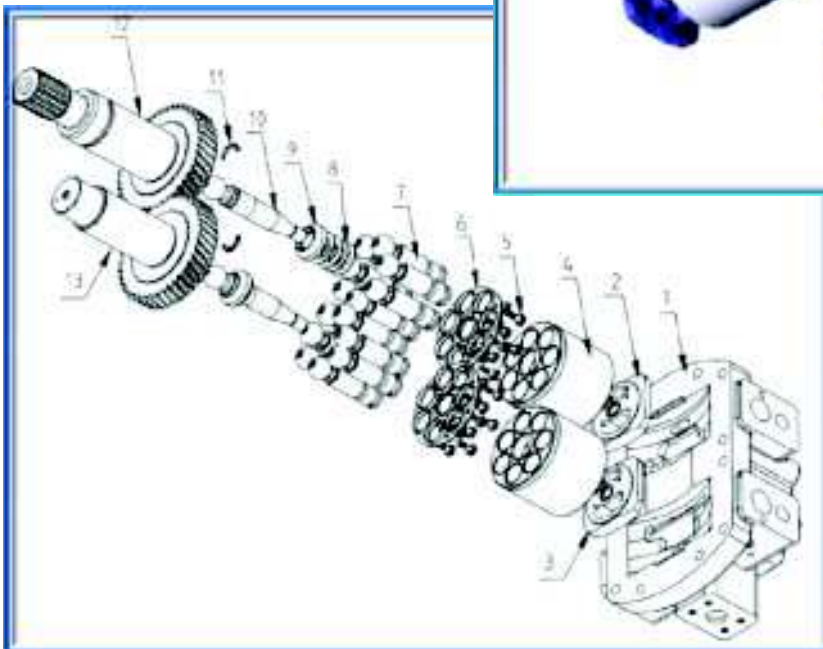
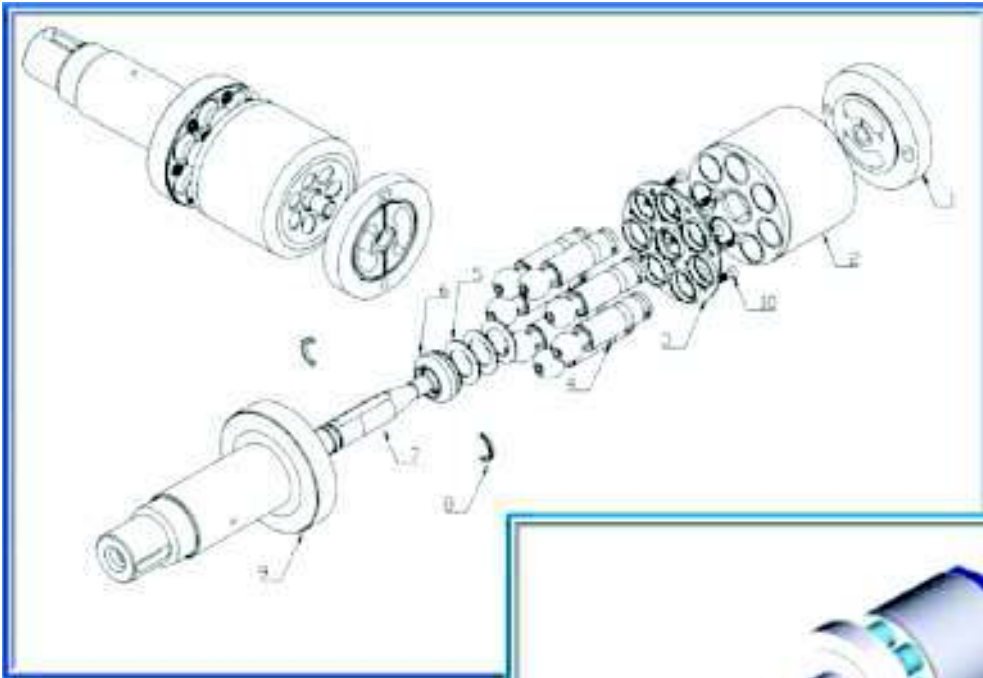
TABLE OF CONTENT

Page	Content
2 - 6	Parts for Bosch-Rexroth Hydromatik build F1V, F3V, A2V, A2F, A3V, A6V, A7V, A8V Sizes 12, 28, 55, 80, 107, 160, 225, 468, 915
7 - 10	Parts for Bosch-Rexroth Hydromatik build (A)A2FM, (A)A2FO, (A)A2FE Series 6.1
11 - 14	Parts for Bosch-Rexroth Hydromatik build (A)A6VM, **6VE, **7VO, **7FO, **8VO Series 6.0 - 6.3
15 - 19	Parts for Bosch-Rexroth Brueninghaus build A2F, A2V, A2P, A6V, A7V Sizes 250, 355, 500, 1000
20 - 23	Special items for Bosch-Rexroth Brueninghaus & Uchida build units
24 - 29	Parts for Bosch-Rexroth A4V & A4VG units
30 - 34	Parts & complete units for Bosch-Rexroth models (A)A10V(S)(O)
35 - 37	Parts for Rexroth Uchida build units A10V
38 - 40	Parts for Bosch-Rexroth Brueninghaus - Hydro Gigant... older models Hydro-Gigant sizes 12 to 50 Brueninghaus models 716 to 750 and 481 to 900 Brueninghaus models 31E to 250E
41 - 45	Parts for Linde build units PV, 2PV, B2PV, MF, BMF, BMR, BPR, BPV, HPR
46 - 49	Parts for Liebherr build units LPVD & LMV
50 - 53	Parts for Kawasaki units K3V 63 - 112 - 140 - 180
54 - 67	Parts & complete units for Vickers build models Vickers piston pumps series PVB - PVE - PVH - TA Vickers vane pump & motors. Vickers complete units 25V 35V 45V 2520V 3520V 3525V 4520V 4525V 4535V Vickers complete motors 25M 35M 45M
68 - 75	Parts for Sauer build units SPV -SMF & 90 series.



Spare parts for Bosch REXROTH Hydromatik build

Bosch Rexroth (Hydromatik build) series F1V-F3V-A2V-A2F-A3V-A6V-A7V-A8V



Remark: All manufacturers names, numbers descriptions are used for reference purposes only and it is not implied that any of the parts listed is the product of Bosch,Rexroth,Hydromatik,Brueninghaus,Uchida,Linde,Sauer,Liebherr,Vickers,Kawasaki..

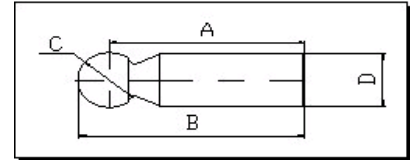
Bosch Rexroth (Hydromatik build) series F1V-F3V-A2V-A2F-A3V-A6V-A7V-A8V

Center pin - Bosch Rexroth (Hydromatik)

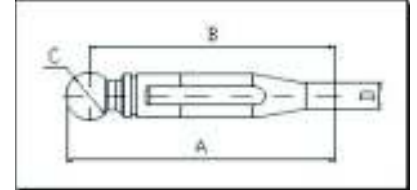
Parts used for models: F1V, F3V, A2V, A2F, A3V, A6V, A7V, A8V

Size	Type	Partnumber	A	B	C	D
HY 12	12	MH - 30158	46,50	40,00	13,00	12,00
HY 16	28	MH - 40215	98,00	90,00	17,50	9,50
HY 20	55	MH - 40083	122,00	112,00	22,00	12,00
HY 22,8	80	MH - 40127	139,00	128,00	25,00	14,00
HY 25	107	MH - 40105	153,00	140,00	27,00	15,00
HY 28,7	160	MH - 40149	175,00	160,00	31,50	17,00
HY 32	225	MH - 31067	197,00	180,00	35,00	22,00
HY 40	468	MH - 30935	271,00	250,00	44,00	24,00
HY 50	915	MH - 34992	317,00	292,00	55,00	30,00

12 only



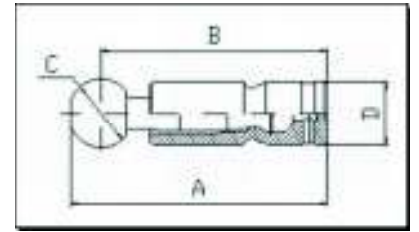
28 - 915 →



Piston - Bosch Rexroth (Hydromatik)

Parts used for models: F1V, F3V, A2V, A2F, A3V, A6V, A7V, A8V

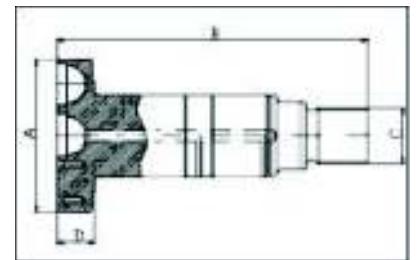
Size	Type	Partnumber	A	B	C	D
HY 12	12	MH - 40304	51,00	45,00	13,00	12,00
HY 16	28	MH - 40348	69,00	51,00	17,50	16,00
HY 20	55	MH - 40414	85,00	75,00	22,00	20,00
HY 22,8	80	MH - 40326	98,00	87,00	25,00	22,80
HY 25	107	MH - 40392	108,00	95,00	27,00	25,00
HY 28,7	160	MH - 40369	123,00	109,00	31,50	28,70
HY 32	225	MH - 32423	138,00	122,00	35,00	32,00
HY 40	468	MH - 31024	172,00	152,00	44,00	40,00
HY 50	915	MH - 31001	226,00	200,00	55,00	50,00



Shaft - Bosch Rexroth (Hydromatik)

Parts used for models: A2F, A2V, A6V, A7V

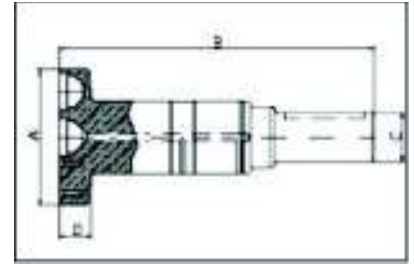
Type	Size	Partnumber	A	B	C	D
55 (20)	splined	MH - 128182	87,00	158,00	30,00	21,00
80 (22,8)	splined	MH - 77523	100,00	190,00	35,00	24,00
107 (25)	splined	MH - 30092	110,00	195,00	40,00	25,00
160 (28,7)	splined	MH - 128146	126,00	222,00	45,00	30,00
225 (32)	splined	MH - 123450	140,00	242,00	60,00	33,00
468 (40)	splined	MH - 37464	190,00	361,00	70,00	53,00



Shaft - Bosch Rexroth (Hydromatik)

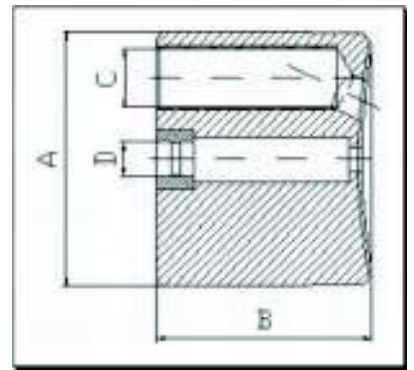
Parts used for models: A2F, A2V, A6V, A7V

Type	Size	Partnumber	A	B	C	D
55 (20)	key	MH - 128183	87,00	183,00	30,00	21,00
80 (22,8)	key	MH - 128172	100,00	220,00	35,00	24,00
107 (25)	key	MH - 128164	110,00	230,00	40,00	25,00
160 (28,7)	key	MH - 128147	126,00	262,00	45,00	30,00
225 (32)	key	MH - 123495	140,00	287,00	50,00	33,00
468 (40)	key	MH - 54428	190,00	391,00	70,00	53,00


Barrel - Bosch Rexroth (Hydromatik)

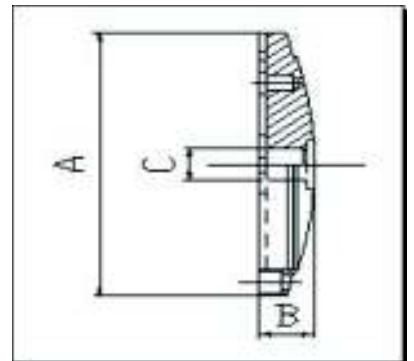
Parts used for models: F1V, F3V, A2V, A2F, A3V, A6V, A7V, A8V

Size	Type	Partnumber	A	B	C	D
HY 12	12	MH - 30135	51,00	40,00	12,00	12,00
HY 16	28	MH - 40239	68,00	58,00	16,00	16,00
HY 20	55	MH - 30336	88,00	74,00	20,00	20,00
HY 22,8	80	MH - 30358	98,00	84,00	22,80	22,80
HY 25	107	MH - 30380	110,00	92,00	25,00	25,00
HY 28,7	160	MH - 30402	123,00	107,00	28,70	28,70
HY 32	225	MH - 31045	136,00	119,00	32,00	32,00
HY 40	468	MH - 30958	180,00	151,00	40,00	40,00
HY 50	915	MH - 30979	225,00	199,00	50,00	50,00


Port plate (round model) - Bosch Rexroth (Hydromatik)

Parts used for models: F1V, F3V, A2V, A2F, A3V

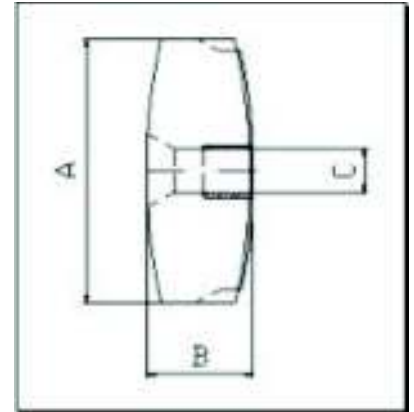
Size	Type	Partnumber	A	B	C
HY 12	12	MH - 32357	56,00	13,00	8,00
HY 16	28	MH - 30025	71,00	16,50	9,50
HY 20	55	MH - 32314	90,00	21,50	12,00
HY 22,8	80	MH - 34001	105,00	24,50	14,00
HY 25	107	MH - 30226	112,00	27,00	15,00
HY 28,7	160	MH - 30847	130,00	30,50	17,00
HY 32	225	MH - 52828	140,00	31,50	22,00
HY 40	468	MH - 32291	190,00	46,30	24,00
HY 50	915	MH - 33954	236,00	51,00	30,00



Port plate (square model) - Bosch Rexroth (Hydromatik)

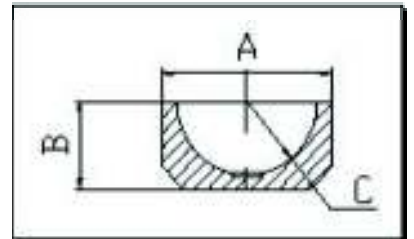
Parts used for models:A6V, A7V, A8V

Size	Type	Partnumber	A	B	C
HY 16	28 RH	MH - 40260	56,00	16,50	9,50
HY 16	28 LH	MH - 40282	56,00	16,50	9,50
HY 16	28 Motor	MH - 32534	56,00	16,50	9,50
HY 20	55 RH	MH - 30003	66,00	21,30	12,00
HY 20	55 LH	MH - 40436	66,00	21,30	12,00
HY 20	55 Motor	MH - 32513	66,00	21,30	12,00
HY 22,8	80 RH	MH - 30670	78,00	24,60	14,00
HY 22,8	80 LH	MH - 30202	78,00	24,60	14,00
HY 22,8	80 Motor	MH - 34927	78,00	24,60	14,00
HY 25	107 RH	MH - 30048	85,00	27,00	15,00
HY 25	107 LH	MH - 30070	85,00	27,00	15,00
HY 25	107 Motor	MH - 40193	85,00	27,00	15,00
HY 28,7	160 RH	MH - 30821	95,00	30,30	17,00
HY 28,7	160 LH	MH - 72785	95,00	30,30	17,00
HY 28,7	160 Motor	MH - 30619	95,00	30,30	17,00


Cup - Bosch Rexroth (Hydromatik)

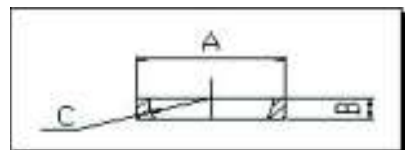
Parts used for models:F1V, A2V, A2F, A6V, A7V

Type	Size	Partnumber	A	B	C
468	40	MH - 34371	48,00	29,00	22,00
915	50	MH - 34393	62,00	37,00	27,50

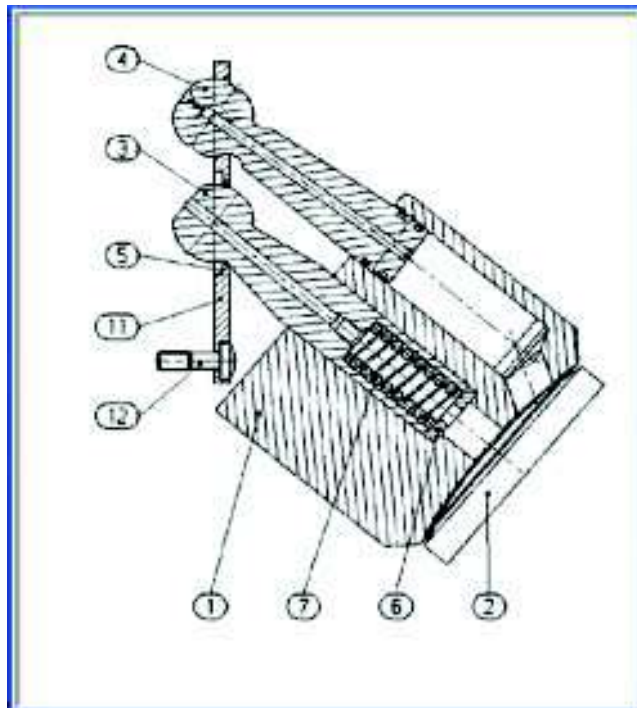
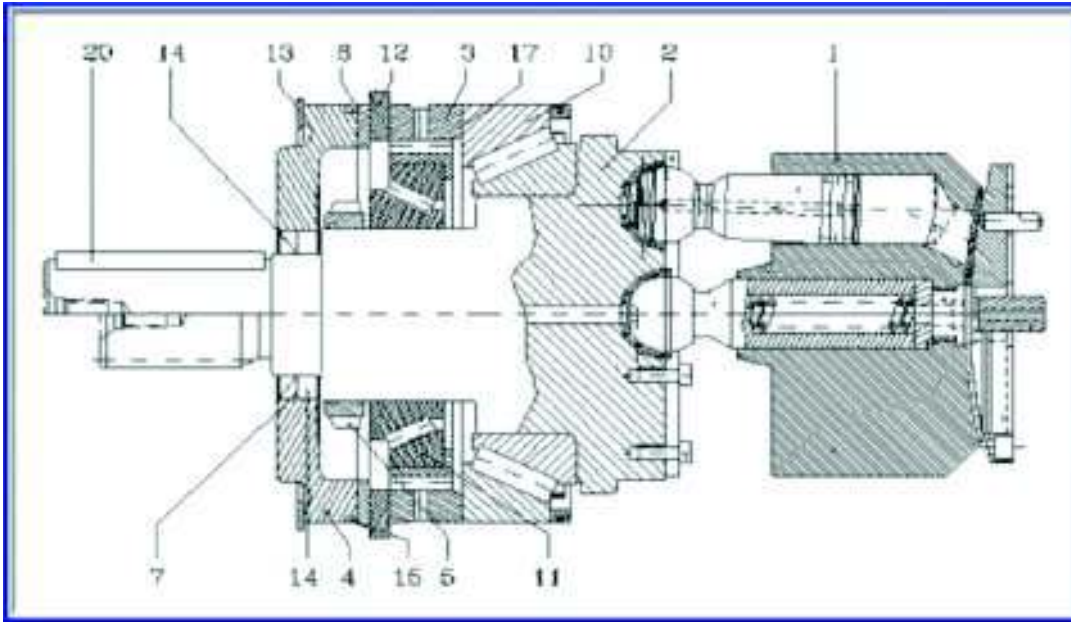

Pistonring - Bosch Rexroth (Hydromatik)

Parts used for models:A2V, A2F, A6V, A7V

Type	Size	Partnumber	A	B	C
468	40	MH - 31685	48,00	8,60	22,00
915	50	MH - 34366	62,00	10,50	27,50



Bosch Rexroth (Hydromatik build) series (A)A2FM, (A)A2FO, (A)A2FE

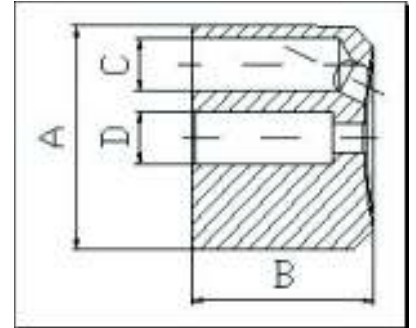


Remark: All manufacturers names, numbers descriptions are used for reference purposes only and it is not implied that any of the parts listed is the product of Bosch, Rexroth, Hydromatik, Brueninghaus, Uchida, Linde, Sauer, Liebherr, Vickers, Kawasaki..

Bosch Rexroth (Hydromatik build) series (A)A2FM, (A)A2FO, (A)A2FE
Barrel - Bosch Rexroth (Hydromatik)

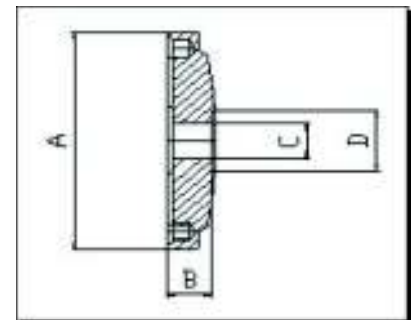
Parts used for models:A2FM, A2FO, A2FE

Series	Size	Partnumber	A	B	C	D
6,1	10	MH - 128614	49,00	42,00	9,00	11,20
6,1	12	MH - 128615	49,00	42,00	9,70	11,20
6,1	16	MH - 128616	49,00	42,00	11,20	11,20
6,1	23	MH - 128617	61,00	52,00	12,00	14,20
6,1	28	MH - 128618	61,00	52,00	13,30	14,20
6,1	32	MH - 128619	61,00	52,00	14,20	14,20
6,1	45	MH - 34596	66,00	56,60	16,00	16,00
6,1	56	MH - 30758	76,00	64,00	16,80	17,80
6,1	63	MH - 33778	76,00	64,00	17,80	17,80
6,1	80	MH - 30780	86,00	72,00	18,90	20,00
6,1	90	MH - 78803	86,00	72,00	20,00	20,00
6,1	107	MH - 30802	96,00	80,00	20,60	22,30
6,1	125	MH - 115653	96,00	80,00	22,30	22,30
6,1	160	MH - 115283	110,00	91,00	23,60	25,00
6,1	180	MH - 115654	110,00	91,00	25,00	25,00


Port plate - Bosch Rexroth (Hydromatik)

Parts used for models:A2FM, A2FO, A2FE

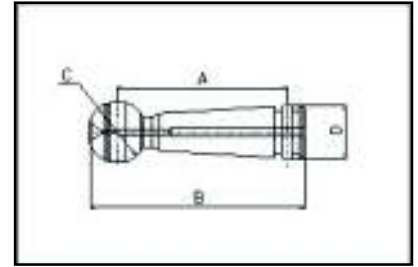
Series	Size	Partnumber	A	B	C	D
6,1	10 LH	MH - 40213	39,80	7,10	6,50	13,20
6,1	10 RH	MH - 54389	39,80	7,10	6,50	13,20
6,1	10 M	NW - 81955	39,80	7,10	6,50	13,20
6,1	12 LH	MH - 117689	39,80	7,10	6,50	11,90
6,1	12 RH	MH - 117700	39,80	7,10	6,50	11,90
6,1	12 M	NW - 68691	39,80	7,10	6,50	11,90
6,1	16 LH	MH - 117690	39,80	7,10	6,50	9,10
6,1	16 RH	MH - 117701	39,80	7,10	6,50	9,10
6,1	16 M	MH - 117694	39,80	7,10	6,50	9,10
6,1	23 LH	MH - 117691	50,50	9,10	8,50	16,50
6,1	23 RH	MH - 117702	50,50	9,10	8,50	16,50
6,1	23 M	MH - 117696	50,50	9,10	8,50	16,50
6,1	28 LH	MH - 117692	50,50	9,10	8,50	13,60
6,1	28 RH	MH - 117703	50,50	9,10	8,50	13,60
6,1	28 M	MH - 117697	50,50	9,10	8,50	13,60
6,1	32 LH	MH - 117693	50,50	9,10	8,50	11,80
6,1	32 RH	MH - 117704	50,50	9,10	8,50	11,80
6,1	32 M	MH - 117698	50,50	9,10	8,50	11,80
6,1	45	MH - 39360	56,50	10,10	9,50	13,10
6,1	56	MH - 39371	63,00	11,50	10,10	17,30
6,1	63	MH - 33932	63,00	11,50	10,10	13,20
6,1	80	MH - 39383	71,00	12,40	12,00	19,50
6,1	107	MH - 39396	79,00	14,50	14,10	23,00
6,1	125	MH - 34685	79,00	14,50	14,10	16,80
6,1	160	MH - 34708	89,00	15,70	15,00	24,50
6,1	180	MH - 39408	89,00	15,70	15,00	20,50



Piston - Bosch Rexroth (Hydromatik)

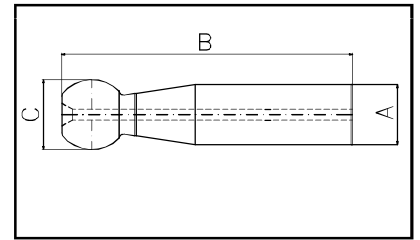
Parts used for models:A2FM, A2FO, A2FE

Series	Size	Partnumber	A	B	C	D
6,1	10	NW - 35176	36,50	46,20	13,00	9,00
6,1	12	NW - 35205	36,50	46,20	13,00	9,70
6,1	16	NW - 35197	36,50	46,20	13,00	11,20
6,1	23	NW - 35215	45,50	57,50	16,00	12,00
6,1	28	NW - 31618	45,50	57,50	16,00	13,30
6,1	32	NW - 31616	45,50	57,50	16,00	14,20
6,1	45	MH - 115294	51,50	64,60	18,00	16,00
6,1	56	MH - 115295	56,90	72,10	20,00	16,80
6,1	63	MH - 115296	56,90	71,10	20,00	17,80
6,1	80	MH - 115297	64,50	81,50	23,00	18,90
6,1	90	MH - 115298	64,50	81,50	23,00	20,00
6,1	107	MH - 115299	72,00	91,00	26,00	20,60
6,1	125	MH - 115300	72,00	91,00	26,00	22,80
6,1	160	MH - 115301	82,50	103,60	29,00	23,60
6,1	180	NW - 34201	82,50	103,60	29,00	25,00


Center pin - Bosch Rexroth (Hydromatik)

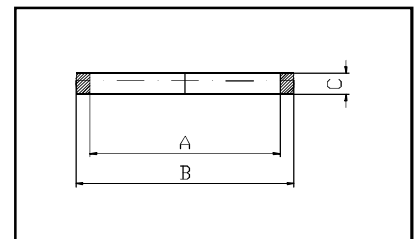
Parts used for models:A2FM, A2FO, A2FE

Series	Size	Partnumber	A	B	C
6,1	10, 12, 16	NW - 31405	11,20	54,00	13,00
6,1	23, 28, 32	NW - 31383	14,20	66,50	16,00
6,1	45	NW - 31394	16,00	74,10	18,00
6,1	56, 63	NW - 31398	17,80	83,30	20,00
6,1	80, 90	NW - 31369	20,00	91,30	23,00
6,1	107, 125	NW - 31386	22,30	103,00	26,00
6,1	160, 180	NW - 35294	25,00	116,40	29,00


Pistonring - Bosch Rexroth (Hydromatik)

Parts used for models:A2FM, A2FO, A2FE

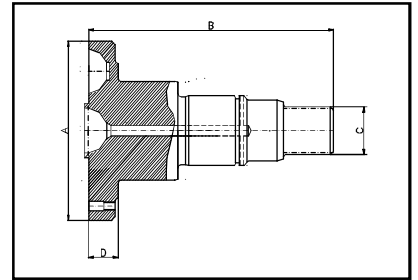
Series	Size	Partnumber	A	B	C
6,1	23	MH - 140672	10,80	12,00	1,80
6,1	28	MH - 140673	12,00	13,30	1,80
6,1	32	MH - 140667	12,80	14,20	1,80
6,1	45	MH - 140668	14,40	16,00	2,50
6,1	56	MH - 140669	15,00	16,80	2,30
6,1	63	MH - 140674	16,00	17,80	2,30
6,1	80	MH - 140670	16,90	18,90	2,50
6,1	90	MH - 139918	18,00	20,00	2,50
6,1	107	MH - 140676	18,40	20,60	2,80
6,1	125	MH - 140671	20,10	22,30	2,80
6,1	160	MH - 140920	21,10	23,60	3,20
6,1	180	MH - 139921	22,50	25,00	3,20



Shaft splined - Bosch Rexroth (Hydromatik)

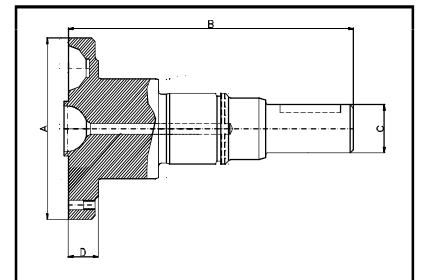
Parts used for models:A2FM, A2FO, A2FE

Series	Size	Partnumber	A	B	C	z
6,1 'Z'	10, 12	NW - 96152	56,00	119,00	20,00	14
6,1 'A'	10, 12, 16	NW - 78648	56,00	113,00	25,00	18
6,1 'Z'	23, 28	NW - 78646	69,00	129,00	25,00	18
6,1 'A'	23, 28, 32	NW - 74711	69,00	122,00	30,00	14
6,1 'Z'	45	NW - 96106				
6,1 'A'	45	NW - 96558	80,00	129,00	32,00	14
6,1 'Z'	56	NW - 96153	86,00	135,00	30,00	14
6,1 'A'	56, 63	NW - 96101	86,00	140,00	35,00	16
6,1 'Z'	80	NW - 96154	98,00	151,00	35,00	16
6,1 'A'	80, 90	NW - 96019	98,00	155,00	40,00	18
6,1 'Z'	107	NW - 96155	108,00	168,00	40,00	18
6,1 'A'	107, 125	NW - 96033	108,00	173,00	45,00	21
6,1 'Z'	160	NW - 96156	125,00	183,00	45,00	21
6,1 'A'	160, 180	NW - 96133	125,00	188,00	50,00	24

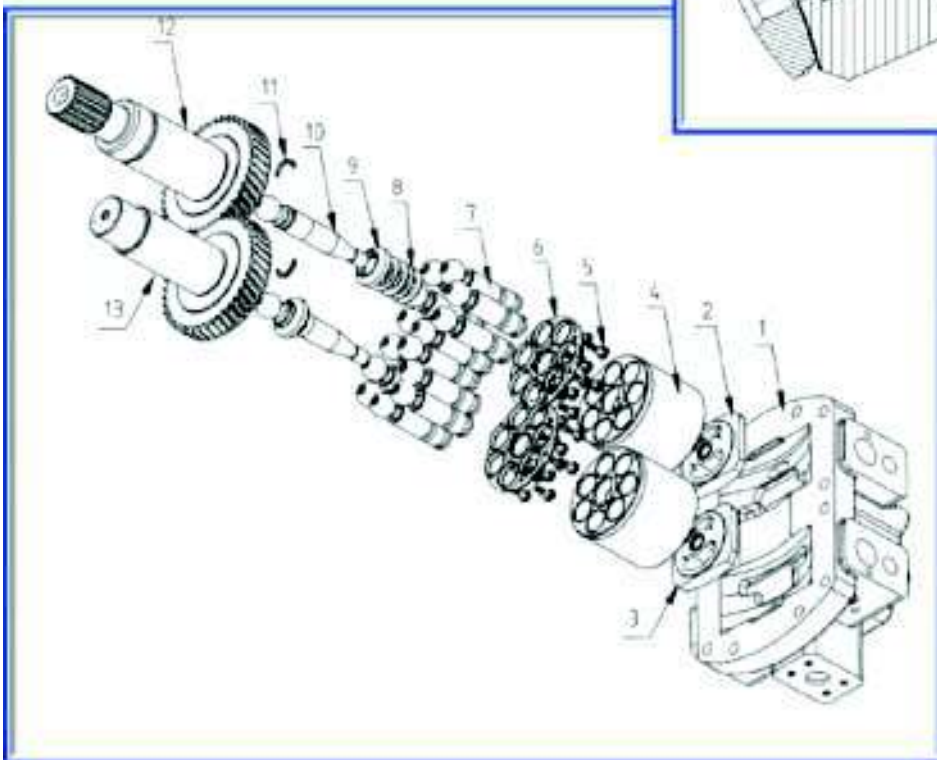
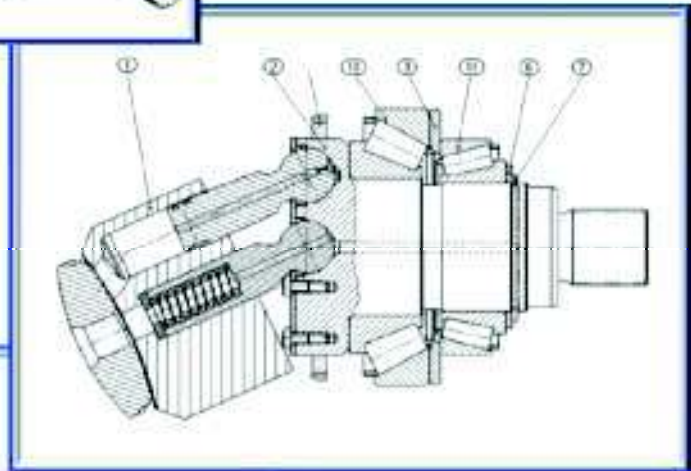
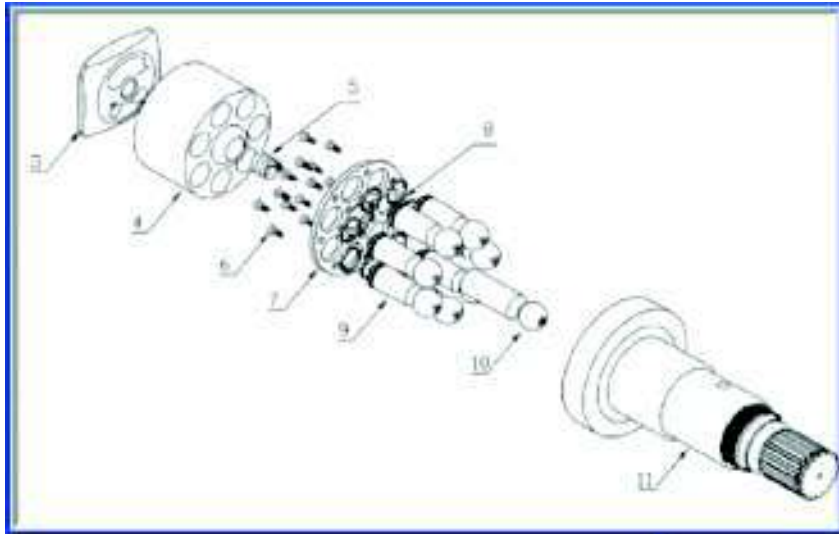

Shaft keyed - Bosch Rexroth (Hydromatik)

Parts used for models:A2FM, A2FO, A2FE

Series	Size	Partnumber	A	B	C	D
6,1 'P'	10, 12	NW - 96134	55,00	125,00	20,00	9,50
6,1 'B'	10, 12, 16	NW - 82215	55,00	125,00	25,00	9,50
6,1 'P'	23, 28	NW - 96135	69,00	136,00	25,00	12,00
6,1 'B'	23, 28, 32	NW - 96136	69,00	136,00	30,00	12,00
6,1 'P'	45	NW - 96137	80,00	152,00	30,00	13,00
6,1 'P'	56	NW - 96138	86,00	160,00	30,00	15,00
6,1 'B'	56, 63	NW - 96139	86,00	160,00	35,00	15,00
6,1 'P'	80	NW - 96140	98,00	181,00	35,00	16,50
6,1 'B'	80, 90	NW - 72372	98,00	181,00	40,00	16,50
6,1 'P'	107	NW - 96141	108,00	203,00	40,00	19,00
6,1 'B'	107, 125	NW - 96142	108,00	203,00	45,00	19,00
6,1 'P'	160	NW - 96143	125,00	224,00	45,00	21,00
6,1 'B'	160, 180	NW - 76372	125,00	224,00	50,00	21,00



Bosch Rexroth (Hydromatik build) series (A)A6VM, **6VE, **7VO, **7FO, **8VO

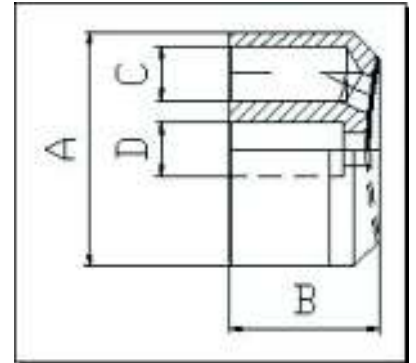


Remark: All manufacturers names, numbers descriptions are used for reference purposes only and it is not implied that any of the parts listed is the product of Bosch,Rexroth,Hydromatik,Brueninghaus,Uchida,Linde,Sauer,Liebherr,Vickers,Kawasaki..

Bosch Rexroth (Hydromatik build) series (A)A6VM, **6VE, **7VO, **7FO, **8VO
Barrel - Bosch Rexroth (Hydromatik)

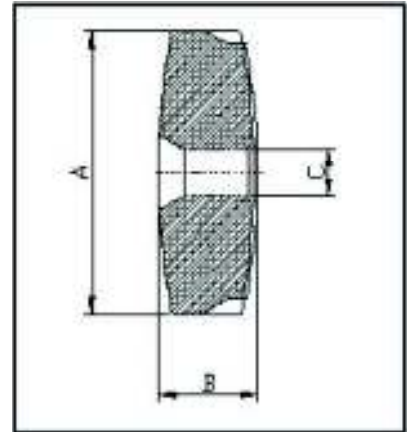
Parts used for models:A6VM, A6VE, A7VO, A7FO, A8VO

Series	Size	Partnumber	A	B	C	D
6,0	28	MH - 115651	68,00	43,00	16,00	16,00
6,0	55	MH - 30736	86,00	54,00	20,00	20,00
6,0	80	MH - 30714	98,00	62,00	22,80	22,80
6,0	107	MH - 38006	110,00	68,00	25,00	25,00
6,0	160	MH - 30892	123,00	79,00	28,70	28,70
6,0	200	MH - 115652	133,00	85,00	30,80	30,80
6.0	250	MH - 39493	142,00	107,00	32,00	32,00


Port plate - Bosch Rexroth (Hydromatik)

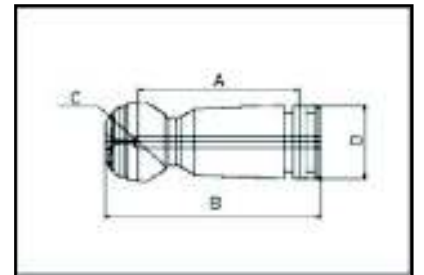
Parts used for models:A6VM, A6VE, A7VO, A7FO, A8VO

Series	Size	Partnumber	A	B	C
6,0	28 Motor	MH - 82688	57,60	16,00	11,30
6,0	28 LH	MH - 82689	57,60	16,00	11,30
6,0	28 RH	MH - 82690	57,60	16,00	11,30
6,0	55 Motor	MH - 81271	70,00	20,00	14,20
6,0	55 LH	MH - 82691	70,00	20,00	14,20
6,0	55 RH	MH - 82692	70,00	20,00	14,20
6,0	80 Motor	MH - 82693	81,00	23,00	16,10
6,0	80 LH	MH - 82694	81,00	23,00	16,10
6,0	80 RH	MH - 81272	81,00	23,00	16,10
6,0	107 Motor	MH - 82695	88,00	25,00	18,10
6,0	107 LH	MH - 82696	88,00	25,00	18,10
6,0	107 RH	MH - 82697	88,00	25,00	18,10
6,0	160 Motor	MH - 82698	97,00	29,00	20,20
6,0	160 LH	MH - 81273	97,00	29,00	20,20
6.0	160 RH	MH - 82699	97,00	29,00	20,20


Piston - Bosch Rexroth (Hydromatik)

Parts used for models:A6VM, A6VE, A7VO, A7FO, A8VO

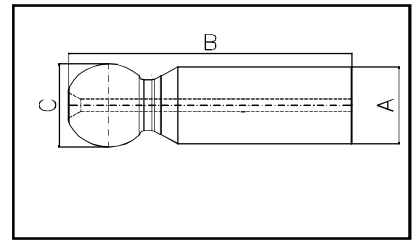
Series	Size	Partnumber	A	B	C	D
6,0	28	MH - 115060	38,50	51,50	17,50	16,00
6,0	55	MH - 115061	47,90	64,40	22,00	20,00
6,0	80	MH - 81590	54,10	72,50	25,00	22,80
6,0	107	MH - 81591	59,80	80,40	27,00	25,00
6,0	160	MH - 115062	70,50	94,30	31,50	28,70
6,0	200	MH - 55360	75,00	101,80	33,00	30,80
6.0	250	MH - 34205	81,00	103,40	34,00	32,00



Center pin - Bosch Rexroth (Hydromatik)

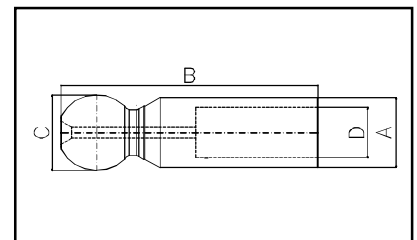
Parts used for models:A6VM, A6VE, A7VO, A7FO, A8VO

Series	Size	Partnumber	A	B	C
6.0	28	NW - 34526	16,00	57,00	17,50
6.0	55	NW - 37778	20,00	69,00	22,00
6.0	80	NW - 35046	22,80	80,50	25,00
6.0	107	NW - 36059	25,00	87,80	27,00
6.0	160	NW - 31402	28,70	101,50	31,50
6.0	200	NW - 32799	30,70	108,30	33,00
6.0	250	NW - 31905	32,00	121,00	34,00


Center pin - Bosch Rexroth (Hydromatik)

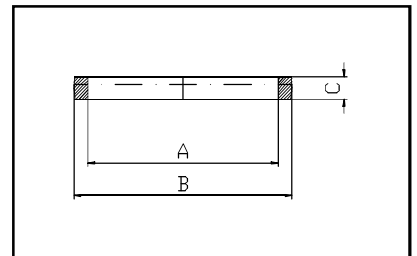
Parts used for models:A6VM, A6VE, A7VO, A7FO, A8VO

Series	Size	Partnumber	A	B	C	D
6.3	28	NW - 99188	16,00	59,30	17,50	10,80
6.3	55	NW - 80797	20,00	75,00	22,00	14,60
6.3	80	NW - 81302	22,80	86,00	25,00	17,00
6.3	107	NW - 54459	25,00	93,80	27,00	18,10
6.3	160	NW - 71670	28,70	107,20	31,50	19,60
6.3	250	NW - 31905	32,00	120,90	34,00	23,70


Pistonring - Bosch Rexroth (Hydromatik)

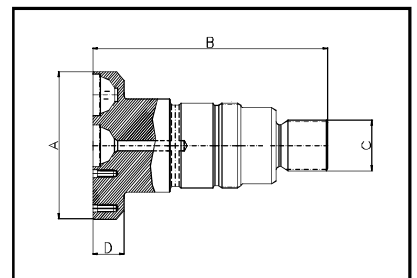
Parts used for models:A6VM, A6VE, A7VO, A7FO, A8VO

Series	Size	Partnumber	A	B	C
6,0	28	MH - 140668	14,40	16,00	2,00
6,0	55	MH - 139218	18,00	20,00	2,50
6,0	80	MH - 139920	20,60	22,80	2,80
6,0	107	MH - 139921	22,50	25,00	3,20
6,0	160	MH - 139922	25,80	28,70	3,60
6.0	250	MH - 140677	29,00	32,00	3,20


Shaft - Bosch Rexroth (Hydromatik)

Parts used on models: A7VO & A6VM series 60

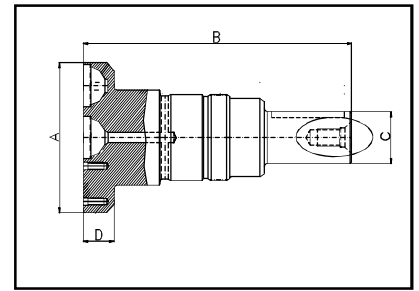
Size	Type	Partnumber	A	B	C	Z
55 6.0 'Z'	splined	MH - 128983	87,00	159,50	30,00	14
55 6.0 'A'	splined	MH - 128984	87,00	164,50	35,00	16
80 6.0 'Z'	splined	MH - 128985	100,00	176,00	35,00	16
80 6.0 'A'	splined	MH - 128986	100,00	181,00	40,00	18
107 6.0 'Z'	splined	MH - 128988	110,00	192,00	40,00	18
107 6.0 'A'	splined	MH - 128989	110,00	197,00	45,00	21
160 6.0 'Z'	splined	MH - 128991	126,00	213,00	45,00	21
160 6.0 'A'	splined	MH - 128893	126,00	218,00	50,00	24
200 6.0 'Z'	splined	NW - 33311	136,00	276,00	50,00	24
200 6.0 'A'	splined	NW - 30450	136,00	220,00	50,00	24



Shaft - Bosch Rexroth (Hydromatik)

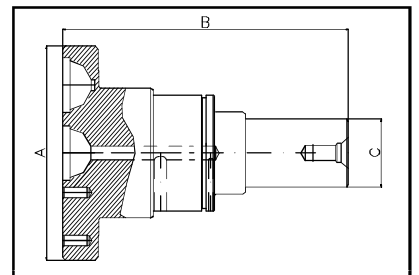
Parts used on models A7VO series 60

Size	Type	Partnumber	A	B	C	D
55 6.0 'P'	key	MH - 30390	87,00	184,50	30,00	21
80 6.0 'P'	key	MH - 39693	100,00	206,00	35,00	24
107 6.0 'P'	key	MH - 128987	110,00	227,00	40,00	25
160 6.0 'P'	key	MH - 128990	126,00	253,00	45,00	30
200 6.0 'P'	key	NW - 30444	136,00	268,00	50,00	32


Shaft - Bosch Rexroth (Hydromatik)

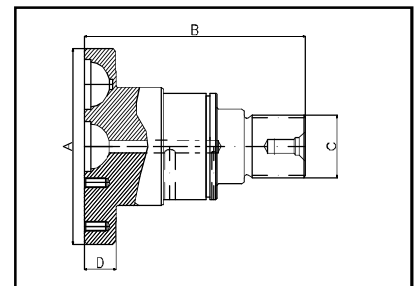
Parts used for: A7VO series 63

Size	Type	Partnumber	A	B	C
55 6.3 'P'	key	NW - 85938	87,00	172,00	30,00
80 6.3 'P'	key	NW - 99044	100,00	191,00	35,00
107 6.3 'P'	key	NW - 80148	110,00	211,00	40,00
160 6.3 'P'	key	NW - 85939	126,00	237,00	45,00


Shaft - Hydromatik

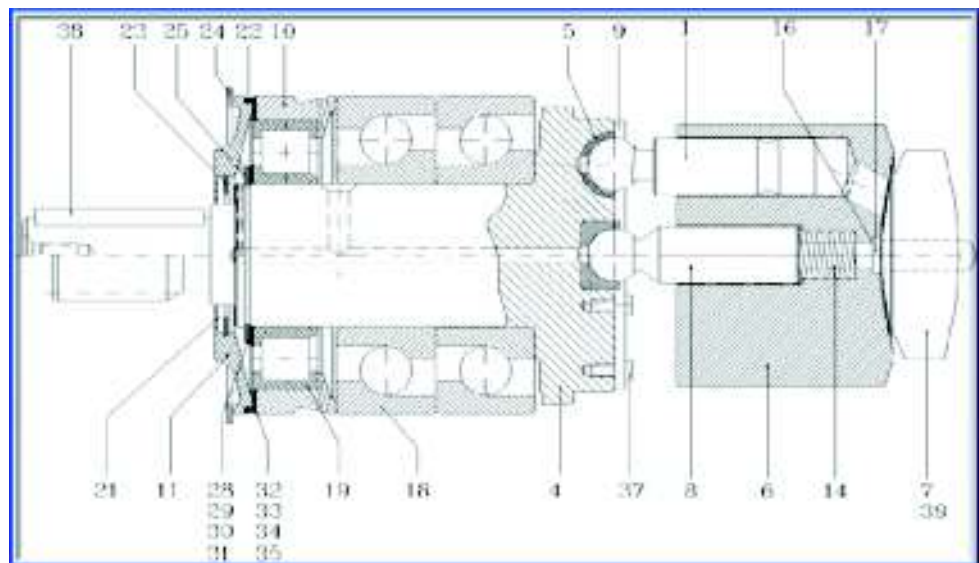
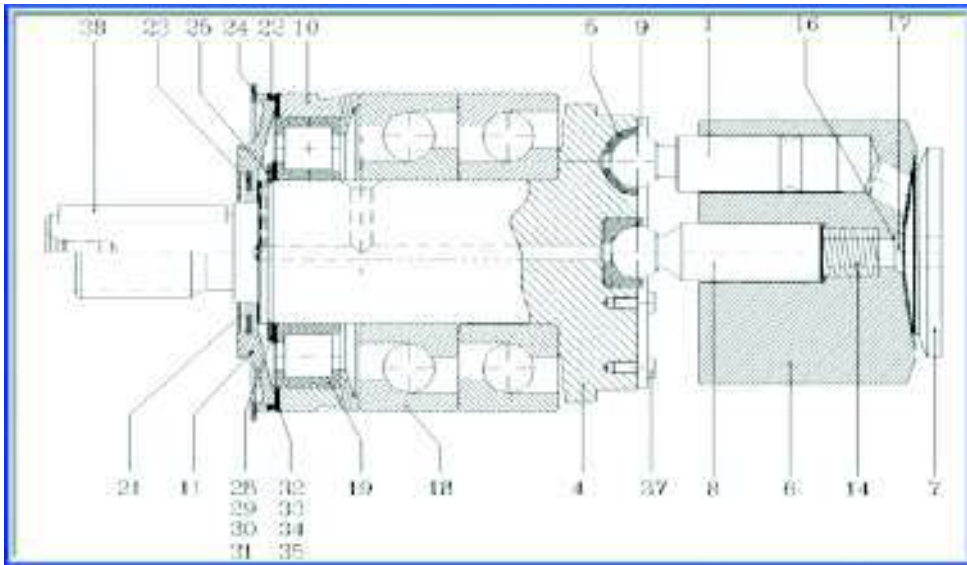
Parts used for: A7VO & A6VM series 63

Size	Type	Partnumber	A	B	C	z
55 6.3 'Z'	splined	NW - 77774	87,00	147,00	30,00	14
55 6.3 'A'	splined	NW - 85956	87,00	152,00	35,00	16
80 6.3 'Z'	splined	NW - 75913	100,00	161,00	35,00	16
80 6.3 'A'	splined	NW - 70280	100,00	166,00	40,00	18
107 6.3 'Z'	splined	NW - 54598	100,00	176,00	40,00	18
107 6.3 'A'	splined	NW - 76582	110,00	181,00	45,00	21
160 6.3 'Z'	splined	NW - 68648	126,00	197,00	45,00	21
160 6.3 'A'	splined	NW - 68326	126,00	203,00	50,00	24





Bosch Rexroth (Brueninghaus build) series A2V, A2P, A6V, A7V



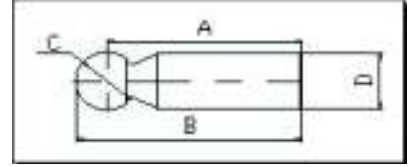
Remark: All manufacturers names, numbers descriptions are used for reference purposes only and it is not implied that any of the parts listed is the product of Bosch, Rexroth, Hydromatik, Brueninghaus, Uchida, Linde, Sauer, Liebherr, Vickers, Kawasaki..

Bosch Rexroth (Brueninghaus build) series A2V, A2P, A6V, A7V

Center pin - Bosch Rexroth (Brueninghaus)

Parts used for models:A2V, A2P, A6V, A7V

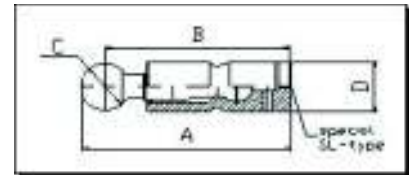
Size	Type	Partnumber	A	B	C	D
BR 32	250	MH - 31336	114,00	130,00	34,00	32,00
BR 36	355	MH - 31311	119,00	136,00	39,00	36,00
BR 40	500	MH - 31289	131,00	151,00	44,00	40,00
BR 50	1000	MH - 31268	170,00	196,00	55,00	50,00



Piston - Bosch Rexroth (Brueninghaus)

Parts used for models:A2V, A2P, A6V, A7V

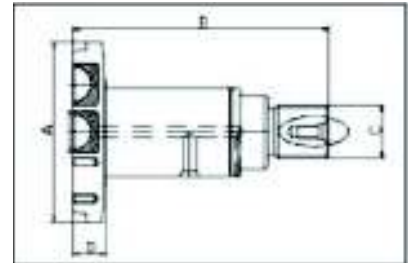
Size	Type	Partnumber	A	B	C	D
BR 32	250	MH - 30247	129,00	112,00	34,00	32,00
BR 36	355	MH - 31113	147,00	128,00	39,00	36,00
BR 40	500	MH - 30913	160,00	139,00	44,00	40,00
BR 40	500 SL	MH - 35079	160,00	139,00	44,00	40,00
BR 50	1000	MH - 31179	199,00	173,00	55,00	50,00
BR 50	1000 SL	MH - 31245	199,00	173,00	55,00	50,00



Shaft - Bosch Rexroth (Brueninghaus)

Parts used for models: A2V, A6V, A7V

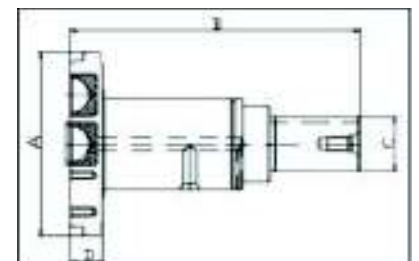
Size	Type	Partnumber	A	B	C	D
250	splined	MH - 107949	172,00	242,00	50,00	30,00
355	splined	MH - 52939	189,00	292,00	60,00	34,00
500	splined	MH - 115583	210,00	307,00	70,00	36,00



Shaft - Bosch Rexroth (Brueninghaus)

Parts used for models: A2V, A6V, A7V

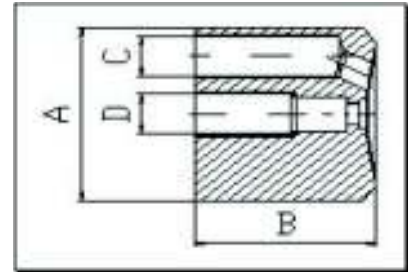
Size	Type	Partnumber	A	B	C	D
250	key	MH - 119152	172,00	266,00	50,00	30,00
355	key	MH - 114581	189,00	320,00	60,00	24,00
500	key	MH - 115582	210,00	330,00	70,00	36,00



Barrel - Bosch Rexroth (Brueninghaus)

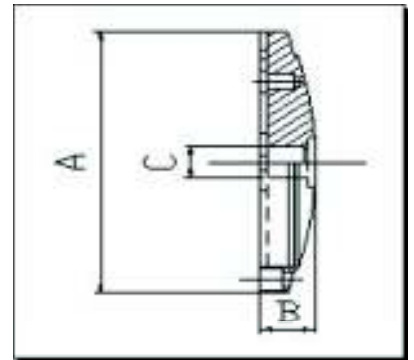
Parts used for models:A2V, A2P, A6V, A7V

Size	Type	Partnumber	A	B	C	D
BR 32	250	MH - 30269	142,00	118,00	32,00	32,00
BR 36	355	MH - 31157	160,00	134,00	36,00	36,00
BR 40	500	MH - 31089	180,00	147,00	40,00	40,00
BR 50	1000	MH - 31201	230,00	184,00	50,00	50,00


Port plate (round model) - Bosch Rexroth (Brueninghaus)

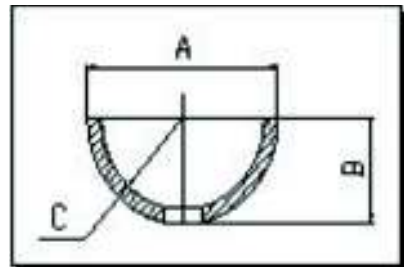
Parts used for models:A2V, A2P, A2F

Size	Type	Partnumber	A	B	C
BR 32	250	MH - 36383	118,00	15,70	16,00
BR 36	355	MH - 35298	132,00	17,70	16,00
BR 40	500	MH - 33910	148,00	19,60	20,00
BR 50	1000	MH - 35277	185,00	24,50	25,00


Piston cup - Bosch Rexroth (Brueninghaus) model 2

Parts used for models:A2V, A2F, A2P, A6V, A7V

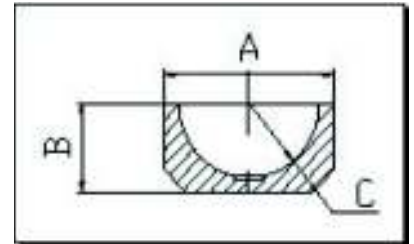
Size	Partnumber	A	B	C
250	MH - 30568	38,00	17,50	17,00
250	MH - 34837	39,00	18,00	17,00
355	MH - 35610	44,00	21,00	19,50
500	MH - 40697	50,00	22,00	22,00
1000	MH - 30566	61,00	29,00	27,50



Piston cup - Bosch Rexroth (Brueninghaus) model 1

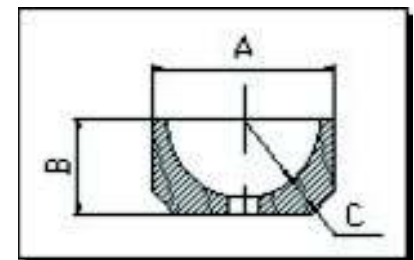
Parts used for models:A2V, A2F, A2P, A6V, A7V

Size	Partnumber	A	B	C
355	MH - 38591	44,00	24,00	19,50
500	MH - 38270	48,00	25,00	22,00


Cup - Center pin - Bosch Rexroth (Brueninghaus)

Parts used for models:A2V, A2F, A2P, A6V, A7V

Size	Partnumber	A	B	C
250	MH - 39089	44,00	23,00	17,00
355	MH - 35633	48,00	30,00	19,50
500	MH - 34310	54,00	31,00	22,00
1000	MH - 39517	68,00	41,00	27,50



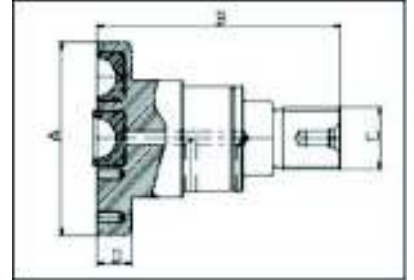


**Spare parts
Bosch REXROTH
special items
Brueninghaus & Uchida
build products**

Bosch Rexroth (special items Brueninghaus and Uchida build)
Shaft - Bosch Rexroth (Brueninghaus)

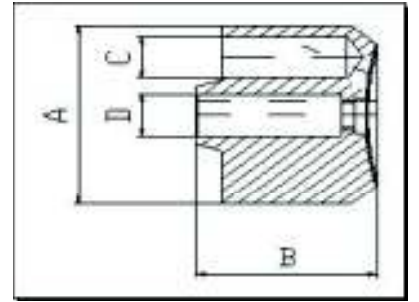
Parts used for models:

Size	Type	Partnumber	A	B	C	D
250 (6.1)	splined	MH - 117711	157,00	210,00	50,00	30,00


Barrel - Uchida

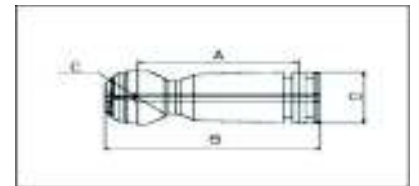
Parts used for models:

Series	Size	Partnumber	A	B	C	D
Uchida	55	MH - 53318	86,00	63,50	20,00	20,00
Uchida	59	MH - 53318	86,00	63,50	20,00	20,00
Uchida	80	MH - 39530	98,00	72,50	22,80	22,80
Uchida	86	MH - 39530	98,00	72,50	22,80	22,80
Uchida	107 ESBR	MH - 39500	110,00	80,50	25,00	25,00
Uchida	107 ERBR	MH - 39500	110,00	80,50	25,00	25,00
Uchida	115	MH - 39500	110,00	80,50	25,00	25,00
Uchida	172	MH - 39502	123,00	92,00	28,70	28,70
Uchida	250	MH - 39494	142,00	107,00	32,00	32,00


Piston - Uchida

Parts used for models:

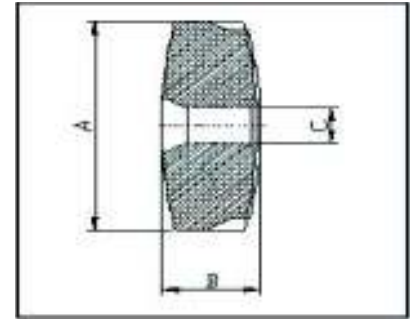
Series	Size	Partnumber	A	B	C	D
2 rings	55	MH - 140629	47,00	64,00	22,00	20,00
1 ring	59	MH - 140631	47,00	64,00	22,00	20,00
1 ring	80	MH - 140632	54,00	73,00	25,00	22,80
1 ring	86	MH - 140633	54,00	73,00	25,00	22,80
1 ring	107ESBR	MH - 140634	60,00	80,00	27,00	25,00
1 ring	107ERBR	MH - 140635	60,00	80,00	27,00	25,00
1 ring	115	MH - 140636	62,00	82,00	27,00	25,00
1 ring	172	MH - 140637	70,00	93,00	27,00	28,70



Port plate - Uchida

Parts used for models:

Series	Size	Partnumber	A	B	C	*
Model 1	55 LH	MH - 140612	70,00	20,00	12,00	23,00
Model 1	55 RH	MH - 140613	70,00	20,00	12,00	23,00
Model 1	59 LH	MH - 140612	70,00	20,00	12,00	23,00
Model 1	59 RH	MH - 140613	70,00	20,00	12,00	23,00
	80 LH	MH - 140617	81,00	22,00	16,00	
	80 RH	MH - 140618	81,00	22,00	16,00	
Model 2	86 LH	MH - 140619	81,00	23,00	14,00	
Model 2	86 RH	MH - 140620	81,00	23,00	14,00	
	107 ESBR					
Model 1	LH	MH - 140621	87,00	25,00	15,00	28,00
	107 ESBR					
Model 1	RH	MH - 140622	87,00	25,00	15,00	28,00
	107 ERBR					
Model 2	LH	MH - 140625	89,00	25,00	15,00	
	107 ERBR					
Model 2	RH	MH - 140626	89,00	25,00	15,00	
Model 2	115 LH	MH - 140625	89,00	25,00	15,00	
Model 2	115 RH	MH - 140626	89,00	25,00	15,00	
Model 1	172 LH	MH - 140627	98,00	29,00	17,00	30,00
Model 1	172 RH	MH - 140628	98,00	29,00	17,00	30,00



Model 1



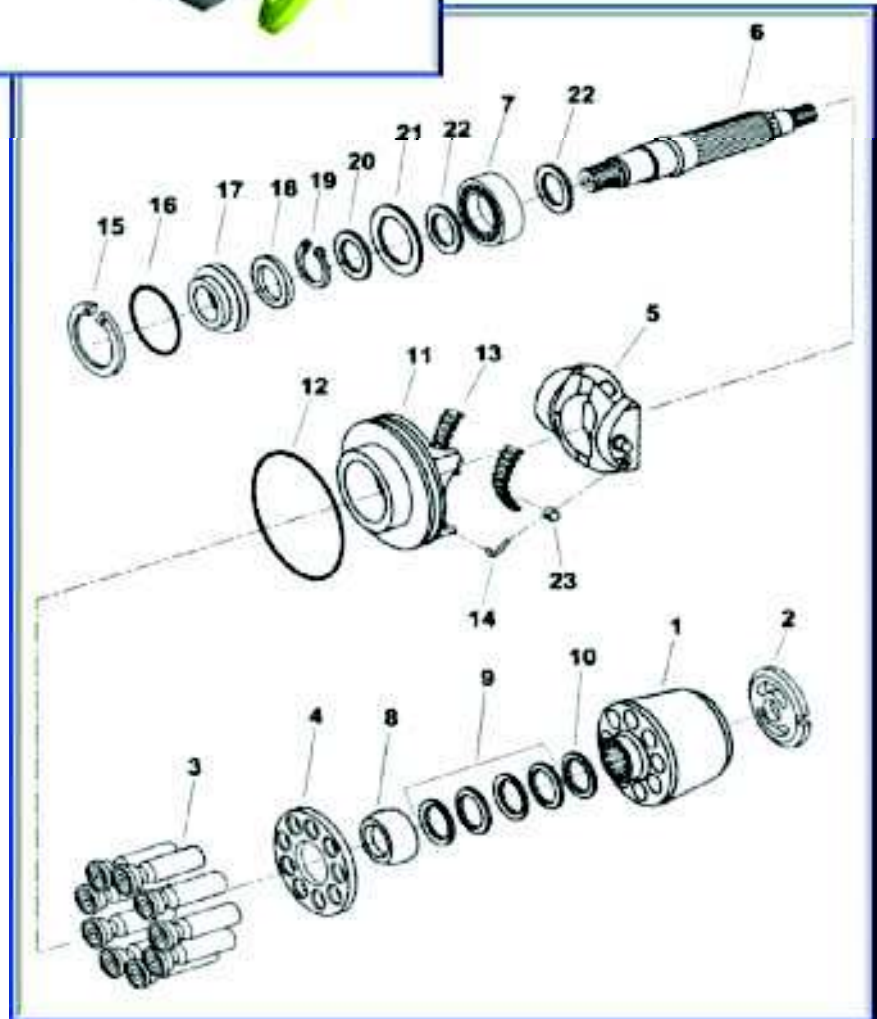
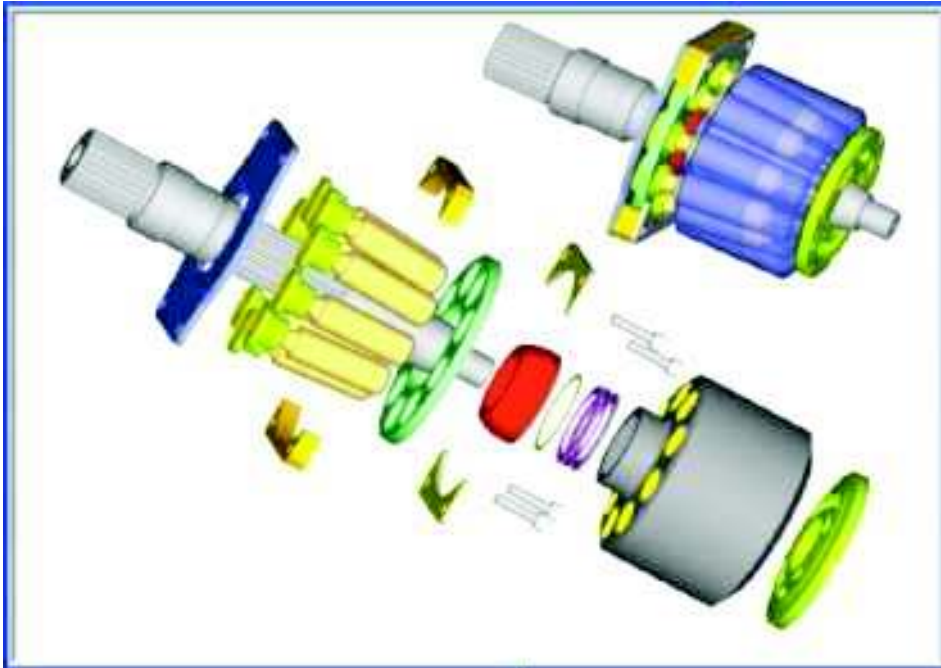
Model 2





Spare parts for Bosch REXROTH A4V & A4VG units.

Bosch Rexroth (Rexroth build) A4V models



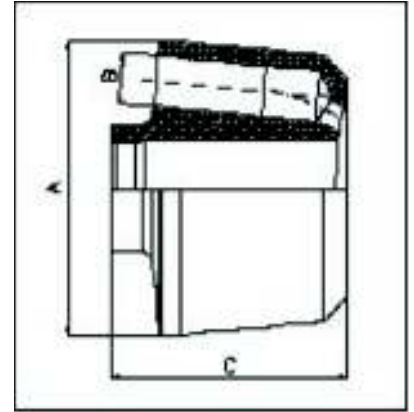
Remark: All manufacturers names, numbers descriptions are used for reference purposes only and it is not implied that any of the parts listed is the product of Bosch, Rexroth, Hydromatik, Brueninghaus, Uchida, Linde, Sauer, Liebherr, Vickers, Kawasaki..

Bosch Rexroth (Rexroth build) A4V models

Barrel - Rexroth

Parts used for models:A4V

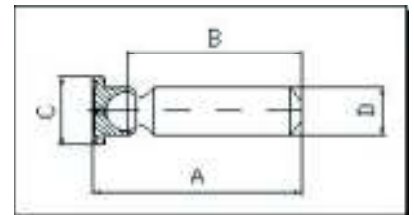
Series	Size	Partnumber	A	B	C
A4V	40	MH - 31998	98,00	17,00	83,00
A4V	56	MH - 32224	110,00	19,00	92,00
A4V	71	MH - 137598	118,00	20,50	100,00
A4V	90	MH - 117743	128,00	22,30	108,00
A4V	125	MH - 64026	143,00	24,80	121,00
A4VO130	POCLAIN	MH - 64026	143,00	24,80	121,00
A4V	250	MH - 141057	180,00	31,20	152,00



Piston - Rexroth

Parts used for models:A4V

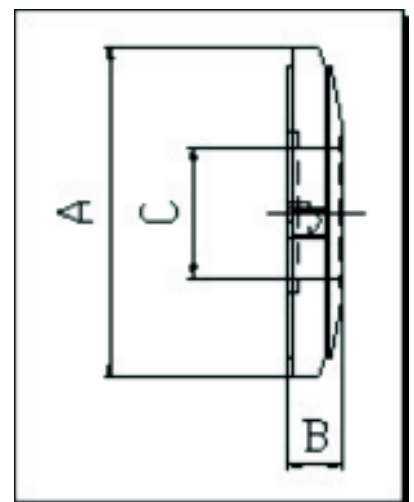
Series	Size	Partnumber	A	B	C	D
A4V	40	MH - 34199	72,40	61,30	24,30	17,00
A4V	56	MH - 39547	81,70	69,00	27,20	19,00
A4V	71	MH - 37984	87,60	74,00	29,30	20,50
A4V	90	MH - 35455	95,40	80,50	31,80	22,20
A4V	125	MH - 35476	106,00	89,50	35,50	24,80
A4V	250 LS	MH - 40095	132,30	112,40	44,90	31,20
A4V	250 HS	MH - 33623	128,30	108,40	44,90	31,20



Port plate - Rexroth

Parts used for models:A4V - DA regulation

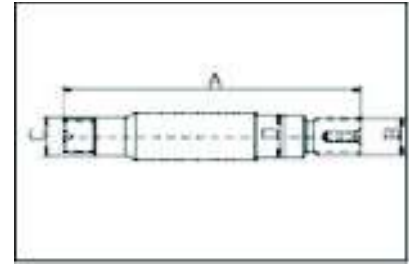
Series	Size	Partnumber	A	B	C
A4V	40 RH	MH - 30646	74,00	10,20	29,00
A4V	40 LH	MH - 30470	74,00	10,20	29,00
A4V	56 RH	MH - 30448	82,00	11,60	33,00
A4V	56 LH	MH - 30492	82,00	11,60	33,00
A4V	125 RH	MH - 30602	116,00	14,90	42,00



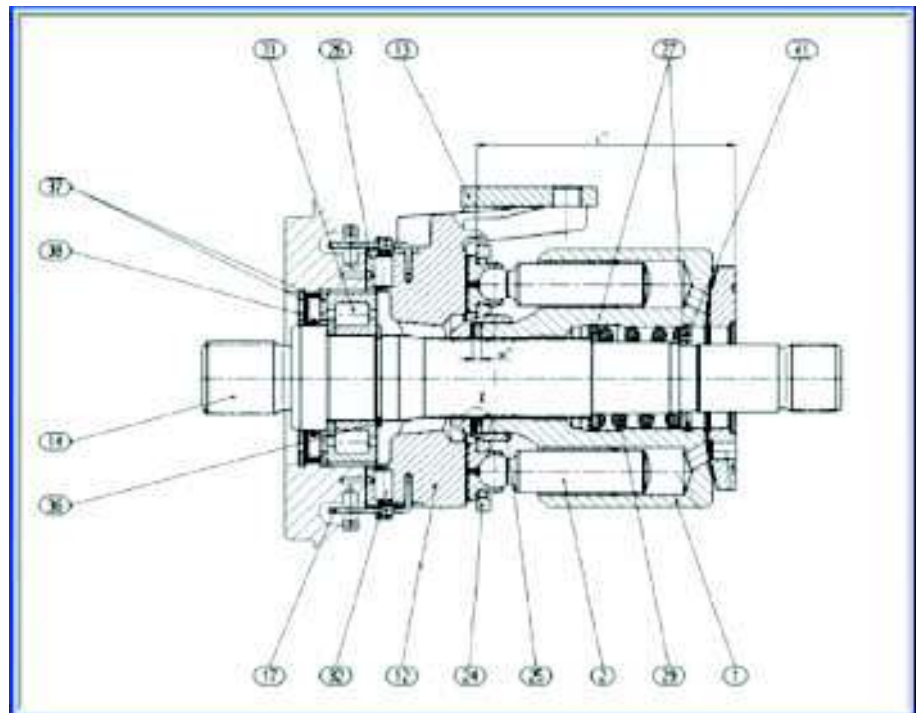
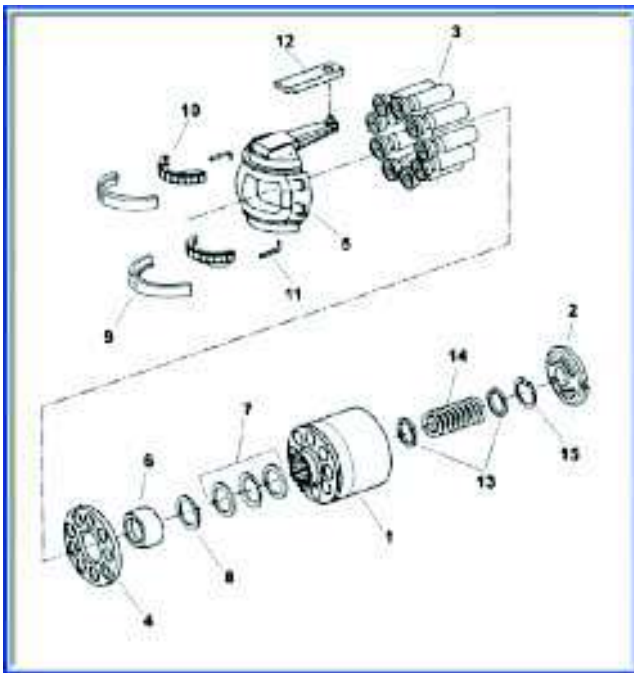
Shaft - Rexroth

Parts used for models:A4V

Series	Size	Partnumber	A	B	C	D
A4V	40	MH - 35765	240,00	30,00	22,00	35,00
A4V	56	MH - 32446	255,00	30,00	25,00	35,00
A4V	90	MH - 117744	290,00	35,00	29,00	40,00
A4V	125	MH - 143629	325,00	40,00	30,00	40,00



Bosch Rexroth (Rexroth build) series A4VG



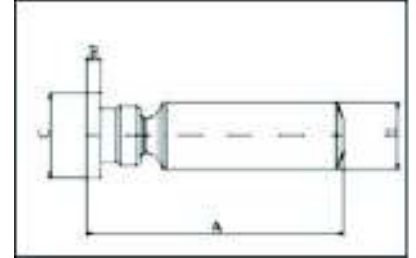
Remark: All manufacturers names, numbers descriptions are used for reference purposes only and it is not implied that any of the parts listed is the product of Bosch, Rexroth, Hydromatik, Brueninghaus, Uchida, Linde, Sauer, Liebherr, Vickers, Kawasaki..

Bosch Rexroth (Rexroth build) series A4VG

Piston - Rexroth

Parts used for models:A4VG

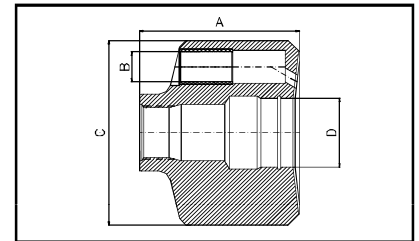
Series	Size	Partnumber	A	B	C	D
A4VG	28	MH - 117528	56,00	3,10	18,00	13,50
A4VG	40	MH - 117532	63,00	3,50	21,00	15,20
A4VG	56	MH - 117535	70,00	3,90	23,00	17,00
A4VG	71	MH - 117539	76,00	4,20	25,00	18,40
A4VG	90	MH - 117540	83,00	4,60	27,00	19,80
A4VG	125	MH - 117541	90,00	5,00	30,00	22,30
A4VG	180	MH - 137789	103,00	5,60	34,30	25,10



Barrel - Rexroth

Parts used for models:A4VG

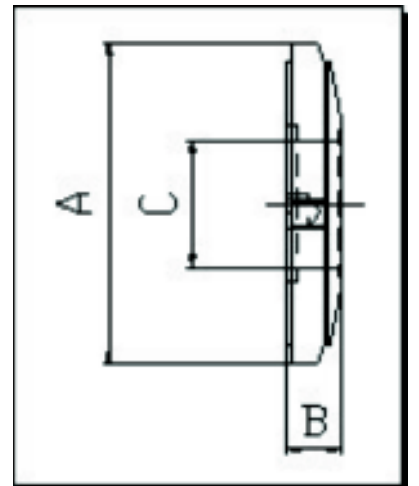
Series	Size	Partnumber	A	B	C	D
A4VG 3.2	28	NW - 81982	70,00	13,50	83,00	31,00
A4VG 3.2	40	NW - 130091	79,00	15,20	93,00	35,00
A4VG 3.2	56	NW - 138315	89,00	17,00	103,00	43,00
A4VG 3.2	71	NW - 90479	97,00	18,40	112,00	45,00
A4VG 3.2	90	NW - 81613	104,00	19,90	122,00	48,00
A4VG 3.2	125	NW - 95740	116,00	22,30	135,00	55,00



Port plate - Rexroth

Parts used for models:A4VG

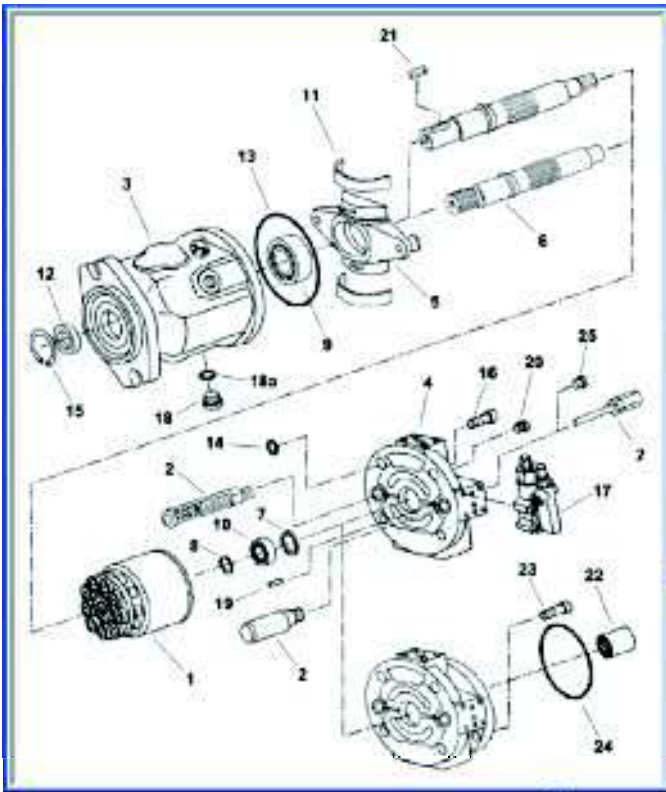
Series	Size	Partnumber	A	B	C
A4VG 3.2	28 L	NW - 87557	87,50	9,10	31,00
A4VG 3.2	28 R	NW - 129188	87,50	9,10	31,00
A4VG 3.2	40 L	NW - 87552	82,00	9,60	35,00
A4VG 3.2	40 R	NW - 138313	82,00	9,60	35,00
A4VG 3.2	56 L	NW - 87550	90,00	10,80	42,00
A4VG 3.2	56 R	NW - 138308	90,00	10,80	42,00
A4VG 3.2	71 L	NW - 68043	97,00	11,90	44,00
A4VG 3.2	71 R	NW - 138309	97,00	11,90	44,00
A4VG 3.2	90 L	NW - 87551	105,00	12,60	48,00
A4VG 3.2	90 R	NW - 138310	105,00	12,60	48,00
A4VG 3.2	125 L	NW - 73343	117,00	14,10	54,00
A4VG 3.2	125 R	NW - 138311	117,00	14,10	54,00





**Spare parts & complete
units for
Bosch REXROTH
(A)A10V(S)(O) units.**

Bosch Rexroth (Rexroth build) series (A)A10V



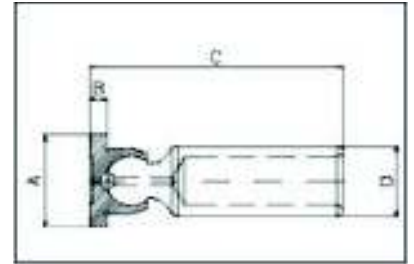
Remark: All manufacturers names, numbers descriptions are used for reference purposes only and it is not implied that any of the parts listed is the product of Bosch, Rexroth, Hydromatik, Brueninghaus, Uchida, Linde, Sauer, Liebherr, Vickers, Kawasaki..

Bosch Rexroth (Rexroth build) series (A)A10V

Piston - Rexroth

Parts used for models:A10V

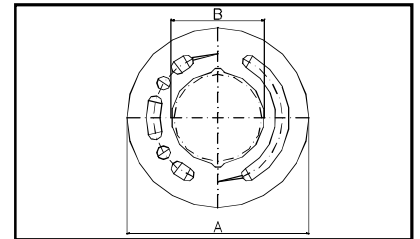
Series	Size	Partnumber	A	B	C	D
A10V	28	MH - 117542	19,00	3,60	52,00	14,50
A10V	45	MH - 117543	21,50	4,00	60,00	17,00
A10V	71	MH - 117544	26,00	5,00	70,00	20,00
A10V	100	MH - 117545	30,00	5,60	80,00	23,00
A10V	140	MH - 117546	31,50	5,00	88,00	25,00



Port plate - Rexroth (Bronze model)

Parts used for models: A10V, A10VSO

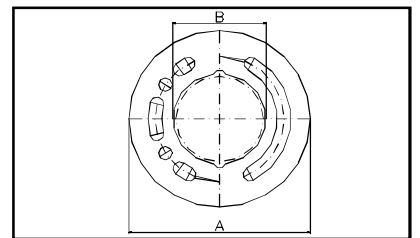
Series	Size	Partnumber	A	B
A10V	28 L	MH - 128630	83,00	40,00
A10V	45 L	MH - 128635	98,00	45,00
A10V	71 L	MH - 54844	114,00	57,00
A10V	100 L	MH - 140123	132,00	62,00
A10V	140 L	MH - 71962	141,00	72,00



Port plate - Rexroth (Bronze model)

Parts used for models: A10V, A10VSO

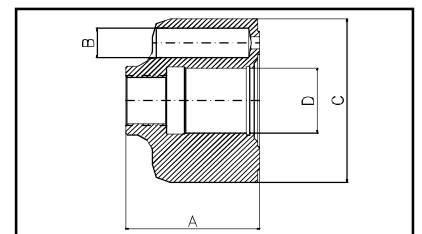
Series	Size	Partnumber	A	B
A10V	28 R	MH - 128629	83,00	40,00
A10V	45 R	MH - 54843	98,00	45,00
A10V	71 R	MH - 54810	114,00	57,00
A10V	100 R	MH - 140243	132,00	62,00
A10V	140 R	MH - 140122	141,00	72,00



Barrel - Rexroth

Parts used for: A10V, A10VSO

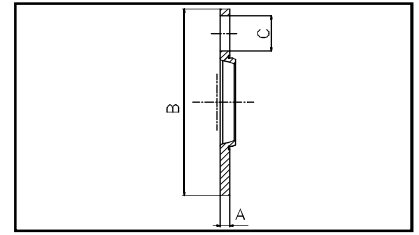
Series	Size	Partnumber	A	B	C	D
A10V	28	MH - 128628	66,00	14,50	83,00	33,00
A10V	45	MH - 128634	75,00	17,00	95,00	38,00
A10V	71	MH - 128638	87,00	20,00	115,00	45,00
A10V	100	NW - 35037	101,00	23,00	131,00	52,00
A10V	140	NW - 64459	114,00	26,50	140,00	58,00



Retainer plate - Rexroth

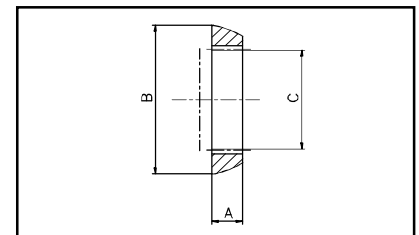
Parts used for: A10V, A10VSO

Series	Size	Partnumber	A	B	C
A10V	28	MH - 76452	4,00	82,00	16,00
A10V	45	MH - 128632	5,00	93,00	18,00
A10V	71	MH - 128636	5,00	113,00	22,00
A10V	100	NW - 35889	6,00	130,00	25,50
A10V	140	NW - 55816	6,00	138,00	26,50


Retaining ball - Rexroth

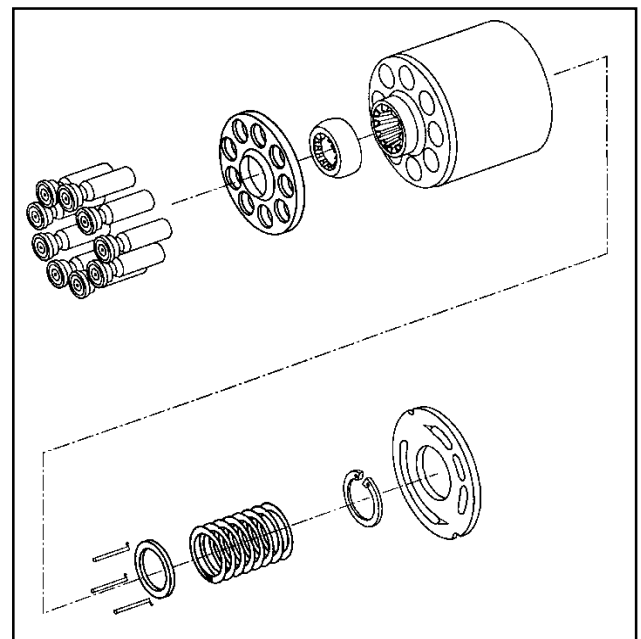
Parts used for: A10V, A10VSO

Type	NG	Partnumber	A	B	C
A10V	28	MH - 128627	9,00	36,00	d=25 z=15
A10V	45	MH - 128633	10,00	42,00	d=30 z=18
A10V	71	MH - 128637	11,00	49,00	d=35 z=22
A10V	100	NW - 65401	12,00	57,00	d=42 z=20
A10V	140	NW - 64460	13,00	63,00	d=45 z=21


Rotating group - A10V

Parts used for models: A10V, A10VSO

Type	NG	Partnumber
A10V	28 L	MH - 53357
A10V	28 R	MH - 53358
A10V	45 L	MH - 55471
A10V	45 R	MH - 53356
A10V	71 L	MH - 55204
A10V	71 R	MH - 53360
A10V	100 L	MH - 55472
A10V	100 R	MH - 55473
A10V	140 L	MH - 55475
A10V	140 R	MH - 55474



Pumps - A10V

Complete models:A10VO, A10VSO

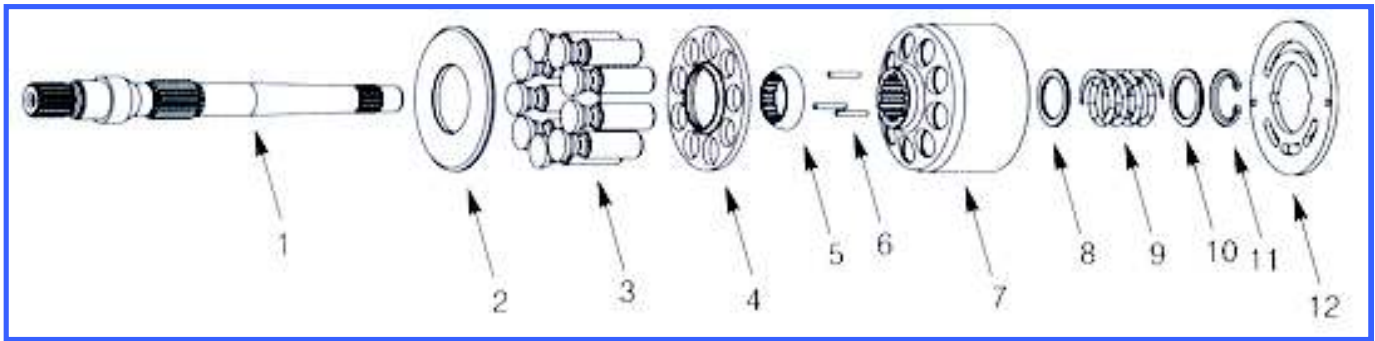
Type	Partnumber
A10VO 28 DFR / 31R - PSC 62 N00	MH - 145221
A10VO 45 DR / 31R - PSC 62 N00	MH - 145226
A10VO 45 DFR / 31L - PSC 62 N00	MH - 145223
A10VO 45 DFR / 31R - PSC 62 N00	MH - 54194
A10VO 45 DFLR /31L - PSC62 N00	MH - 144798
A10VO 45 DFLR / 31R - PSC 62 N00	MH - 145222
A10VO 45 DFR / 52R - PSC 64 N00	MH - 145224
A10VO 45 DFR1 / 52R - PSC 64 N00	MH - 145225
A10VO 71 DFR / 31L - PSC 62 N00	MH - 145228
A10VO 71 DFR / 31R - PSC 62 N00	MH - 144799
A10VO71 DFR1 / 31R - PSC 62 N00	MH - 145229
A10VSO 28 DFLR / 31R - PPA 12 N00	MH - 145230
A10VSO 28 DFR / 31L - PPA 12 N00	MH - 145231
A10VSO 28 DFR / 31R - PPA 12 N00	MH - 141037
A10VSO 28 DFR1 / 31L - PPA 12 N00	MH - 145232
A10VSO 28 DR / 31L - PPA 12 N00	MH - 141035
A10VSO 28 DR / 31R - PPA 12 N00	MH - 141036
A10VSO 45 DFLR / 31R - PPA 12 N00	MH - 141041
A10VSO 45 DFR / 31R - PPA 12 N00	MH - 141039
A10VSO 45 DFR1 / 31R - PPA 12 N00	MH - 141040
A10VSO 45 DR / 31L - PPA 12 N00	MH - 145233
A10VSO 45 DR / 31R - PPA 12 N00	MH - 141038
A10VSO 45 DRG / 31R - PPA 12 N00	MH - 145234
A10VSO 71 DFLR / 31R - PPA 12 N00	MH - 141044
A10VSO 71 DFR / 31L - PPA 12 N00	MH - 141042
A10VSO 71 DFR / 31R - PPA 12 N00	MH - 141043





Spare parts for REXROTH UCHIDA units A10V

Uchida Rexroth (Uchida build) series A10V



A10VD17

Build in: Komatsu PC25 and PC30, MX03

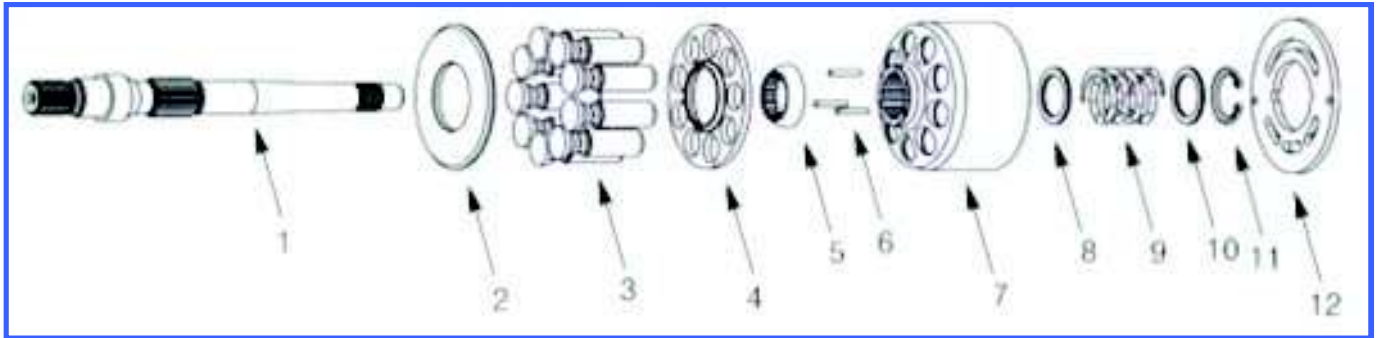
Description	Partnumber
Thrustplate	MH - 142311
Piston	MH - 142312
Retainer plate	MH - 142313
Retainerball	MH - 142314
Barrel	MH - 142315
Valve plate RH	MH - 142316
Valve plate LH	MH - 142317

A10V28/A10VD28

Description	Partnumber
Shaft	MH - 138919
Thrustplate	MH - 115971
Piston	MH - 115968
Retainer plate	MH - 115969
Retainerball	MH - 138917
Pin	MH - 138915
Barrel	MH - 138914
Valve plate RH	MH - 80104
Valve plate LH	MH - 80103

Remark: All manufacturers names, numbers descriptions are used for reference purposes only and it is not implied that any of the parts listed is the product of Bosch,Rexroth,Hydromatik,Brueninghaus,Uchida,Linde,Sauer,Liebherr,Vickers,Kawasaki..

Uchida Rexroth (Uchida build) series A10V



A10V40/A10V43

Build in: HITACHI EX60-1 and EX60LC, S80W-3

Description	Partnumber
Thrustplate	MH - 142302
Piston	MH - 78519
Retainer plate	MH - 142303
Retainerball	MH - 142304
Barrel	MH - 142305
Valve plate RH	MH - 142306
Valve plate LH	MH - 142307

A10VD43

Description	Partnumber
Thrustplate	MH - 78521
Piston	MH - 78519
Retainer plate	MH - 138916
Retainerball	MH - 138918
Barrel	MH - 115429
Valve plate RH	MH - 78523
Valve plate LH	MH - 78524
Drive shaft flat	MH - 142308
Drive shaft round	MH - 142310

Remark: All manufacturers names, numbers descriptions are used for reference purposes only and it is not implied that any of the parts listed is the product of Bosch,Rexroth,Hydromatik,Brueninghaus,Uchida,Linde,Sauer,Liebherr,Vickers,Kawasaki..



**Spare parts for
Bosch REXROTH
BRUENINGHAUS -
Hydro Gigant...
older models.**

Bosch Rexroth (various older type, models and brands)

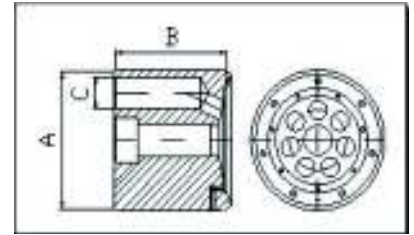


Remark: All manufacturers names, numbers descriptions are used for reference purposes only and it is not implied that any of the parts listed is the product of Bosch,Rexroth,Hydromatik,Brueninghaus,Uchida,Linde,Sauer,Liebherr,Vickers,Kawasaki..

Bosch Rexroth (various older type, models and brands)
Barrel - Hydro-Gigant (Bronze)

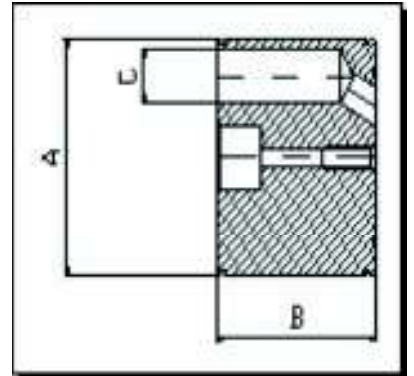
Parts used for models:12, 16, 20, 32, 40, 50

Size	Partnumber	A	B	C
12	MH - 37627	51,00	47,00	12,00
16	MH - 37649	68,00	60,00	16,00
20	MH - 39691	86,00	75,00	20,00
25	MH - 54202	110,00	95,00	25,00
32	MH - 39536	136,00	122,00	32,00
40	MH - 39526	180,00	158,00	40,00
50	MH - 39534	225,00	206,00	50,00


Barrel - Bosch Rexroth (Brueninghaus)

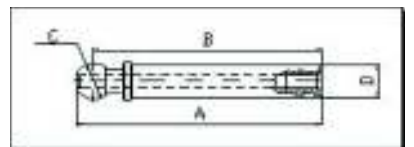
Parts used for models: 716, 732, 740, 750 - 481 - 900

Size	Partnumber	A	B	C
716	MH - 39817	70,00	67,00	16,00
732	MH - 54183	140,00	106,00	32,00
740 - 481	MH - 40297	180,00	149,00	40,00
750 - 900	MH - 39971	215,00	194,00	50,00


Center pin - Bosch Rexroth (Brueninghaus)

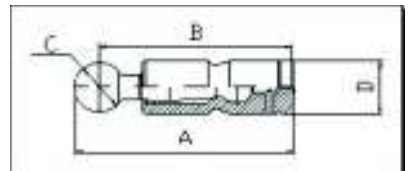
Parts used for models:31E, 71E, 125E, 250E

Type	Size	Partnumber	A	B	C	D
31E	16	MH - 39906	112,00	105,00	17,00	16,00
71E	21	MH - 40060	143,00	133,00	22,00	20,00
125E	25	MH - 39950	175,00	164,00	27,00	25,00
250E	32	MH -39928	215,00	202,00	34,00	28,00


Piston - Bosch Rexroth (Brueninghaus)

Parts used for models:31E, 71E, 125E, 250, 716, 740

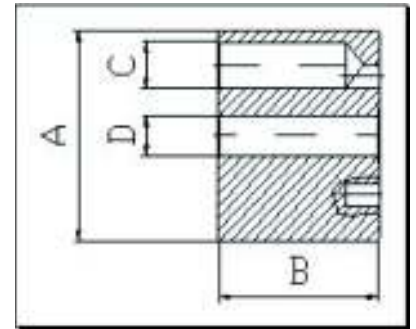
Type	Size	Partnumber	A	B	C	D
71E	21	MH - 39883	91,00	81,00	23,00	21,00
125E	25	MH - 32469	109,00	97,00	27,00	25,00
250E	32	MH - 30247	129,00	112,00	34,00	32,00
740	40	MH - 30913	165,00	143,00	44,00	40,00



Bosch Rexroth (various older type, models and brands)
Barrel - Bosch Rexroth (Brueninghaus)

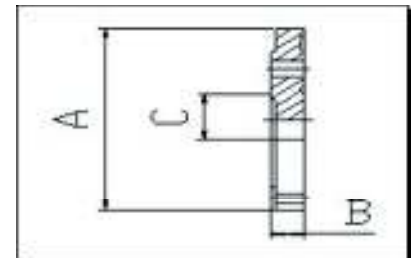
Parts used for models:31E, 71E, 125E, 250E

Size	Type	Partnumber	A	B	C	D
31 E		MH - 52839	74,00	61,00	16,00	16,00
71 E		MH - 39993	98,00	82,00	21,00	20,00
125 E		MH - 39861	120,00	99,00	25,00	25,00
250 E		MH - 39839	148,00	121,00	32,00	28,00

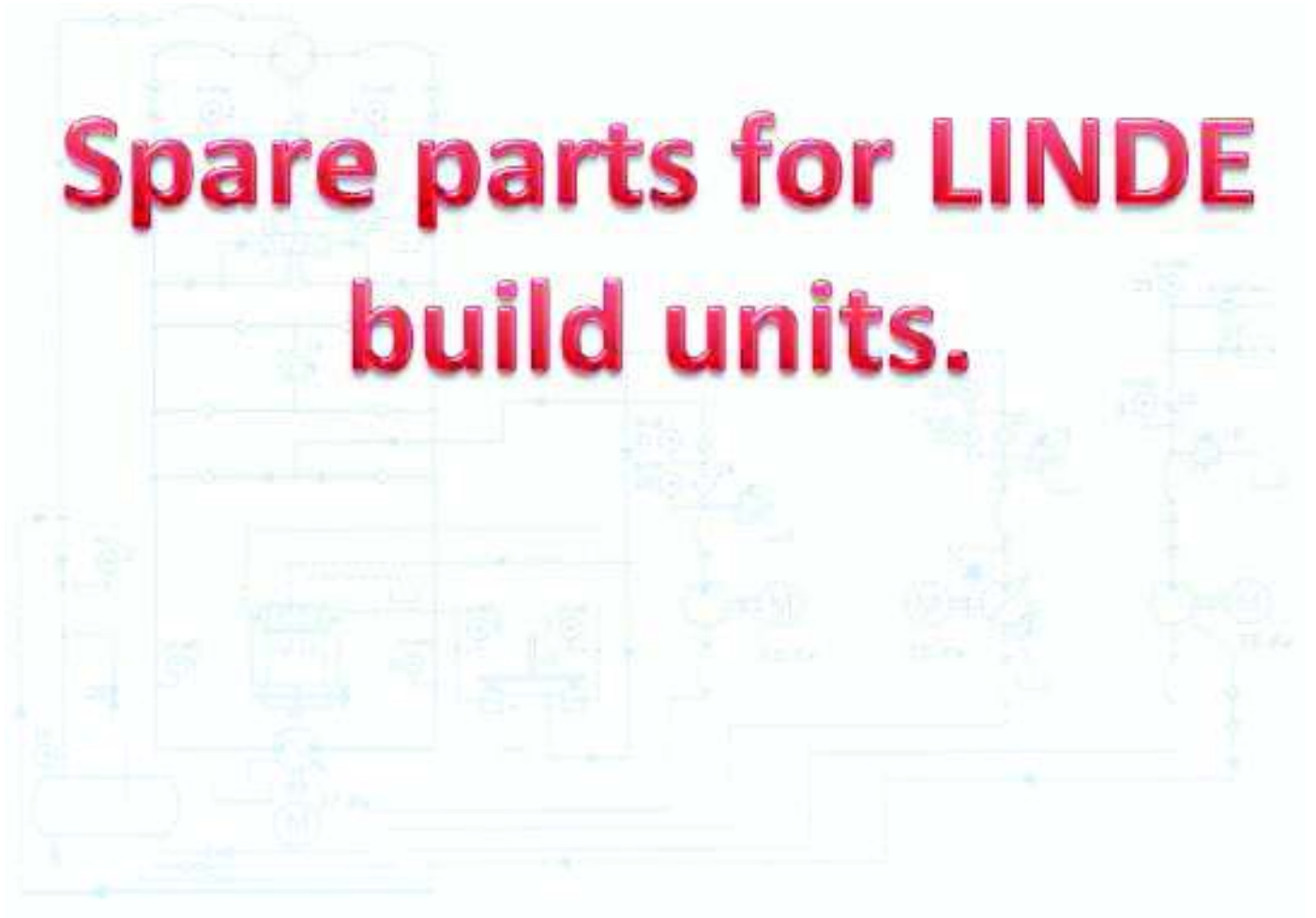

Port plate - Bosch Rexroth (Brueninghaus)

Parts used for models:31E, 71E, 125E, 250E

Size	Partnumber	A	B	C
31 E	MH - 52851	82,00	6,50	18,00
71 E	MH - 49125	99,00	11,30	22,00
125 E	MH - 37530	125,00	10,50	27,00
250 E	MH - 34022	150,00	16,00	30,00



Spare parts for LINDE build units.

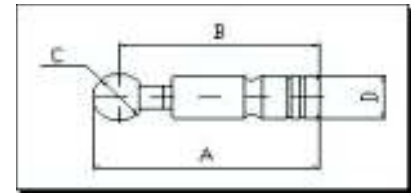


LINDE VARIOUS PARTS

Piston - Linde

Parts used for models: PV - 2PV - B2PV - MF-BMF- BMR

Type	Partnumber	A	B	C	D
35	MH - 52846	78,00	70,00	18,00	16,00
47 / 50	MH - 52847	85,00	75,50	20,00	18,00
69 / 75	MH - 52848	100,00	90,00	22,00	20,00
105	MH - 52849	110,00	98,00	25,00	22,00
140	MH - 52850	120,00	109,00	28,00	25,00
186	MH - 32199	128,00	115,00	30,00	28,00



Model B2PV35 other parts

Description	Partnumber
BARREL B2PV35	MH-154208
VALVE PLATE LH	MH-154208
VALVE PLATE RH	MH-154217

Model B2PV50 other parts

Description	Partnumber
BARREL B2PV50	MH-154210
VALVE PLATE LH	MH-154211
VALVE PLATE RH	MH-154218

Model B2PV75 other parts

Description	Partnumber
BARREL B2PV75	MH-154212
VALVE PLATE LH	MH-154213
VALVE PLATE RH	MH-154219

Model B2PV105 other parts

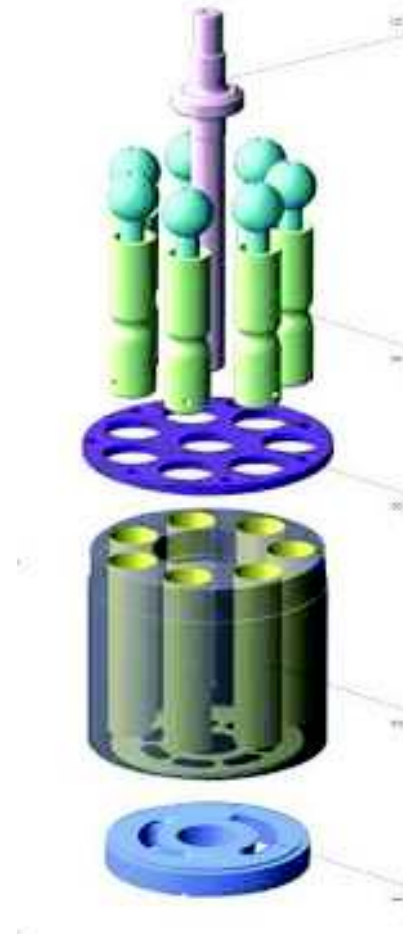
Description	Partnumber
BARREL B2PV105	MH-154214
VALVE PLATE LH	MH-154215
VALVE PLATE RH	MH-154216

Model BPR 186 other parts

Description	Partnumber
BARREL	MH-154999
RETAINER PLATE	MH-155001

Model BPR 260 other parts

Description	Partnumber
BARREL	MH-155005
PISTON	MH-155004



LINDE VARIOUS PARTS

Model BPV35 other parts

Description	Partnumber
BARREL BPV35	H
PISTON BPV35	H
RETAINER PLATE	H

Model BPV50 other parts

Description	Partnumber
BARREL BPV50	H
PISTON BPV50	H

Model BPV70 other parts

Description	Partnumber
PISTON	H
BARREL	H
RETAINER PLATE	H
PORT PLATE LH	H

Model BPV100 other parts

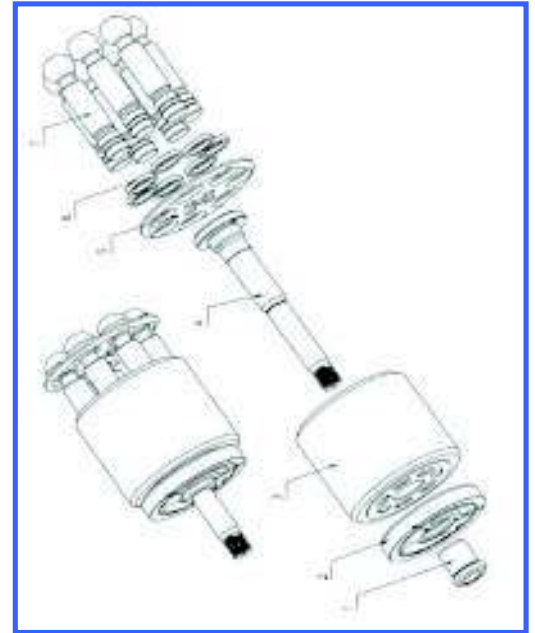
Description	Partnumber
BARREL BPV100	H
PISTON BPV100	H
RETAINER PLATE	H
PORT PLATE LH	H
PORT PLATE RH	H

Model BPV200 other parts

Description	Partnumber
BARREL BPV200	MH-157760
PISTON BPV200	MH-157752

Model HPR100 other parts

Description	Partnumber
BARREL	H
PISTON	H
PORT PLATE LH	H
RETAINER BALL	H
RETAINER PLATE	H
PORT PLATE RH	H
SWASH PLATE	H
BEARING FLANGE	H
SHAFT 18T	H



LINDE VARIOUS PARTS

Model HPR130 other parts

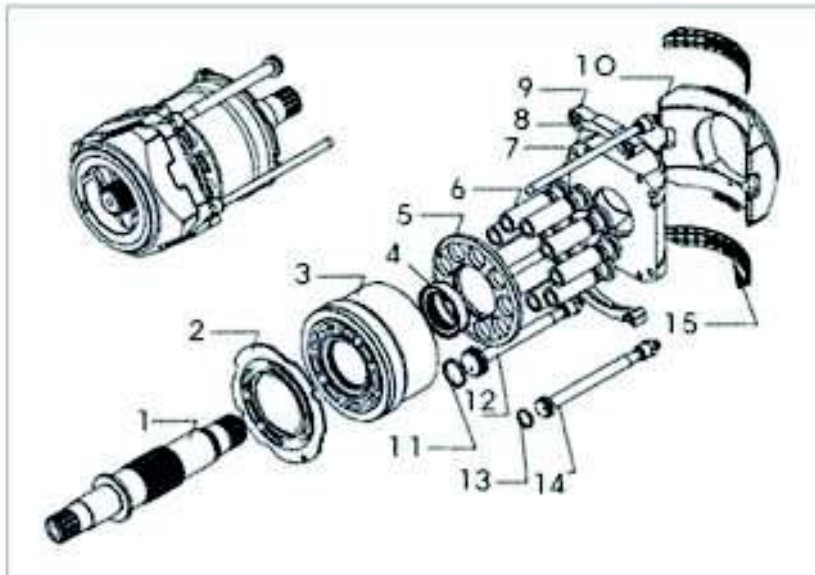
Description	Partnumber
BARREL	H
PISTON	H
RETAINER PLATE	H
RETAINERBALL	H
PORT PLATE LH	H
PORT PLATE RH	H

Model HPR160 other parts

Description	Partnumber
BARREL	H
PISTON	H
RETAINER PLATE	H
RETAINERBALL	H
PORT PLATE LH	H
PORT PLATE RH	H

Model HPV130 other parts

Description	Partnumber
BARREL	H
PISTON	H

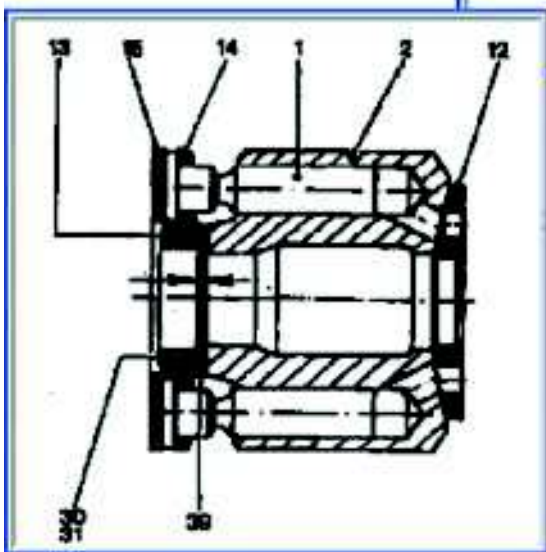
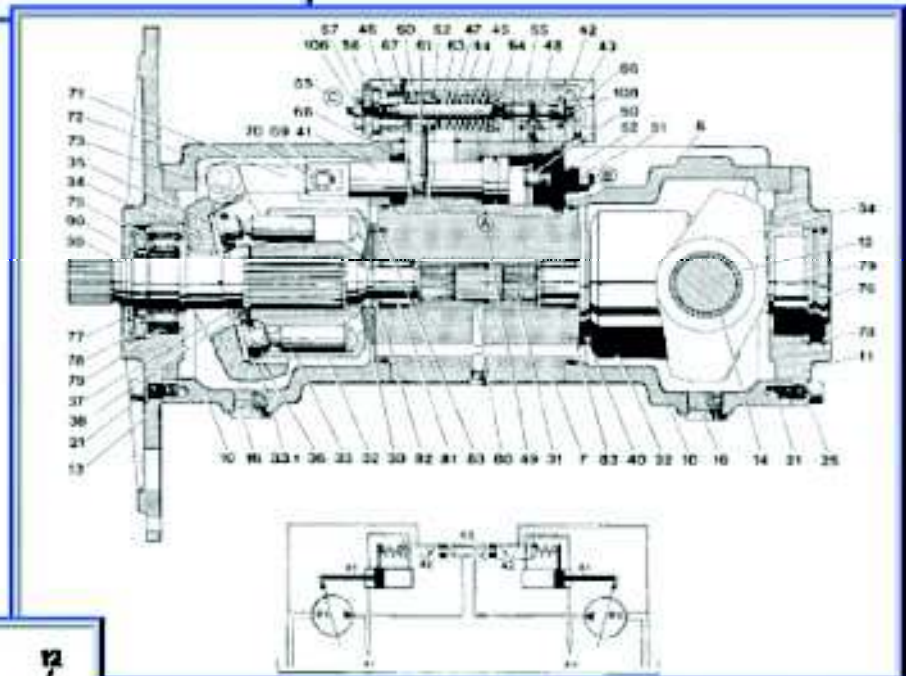
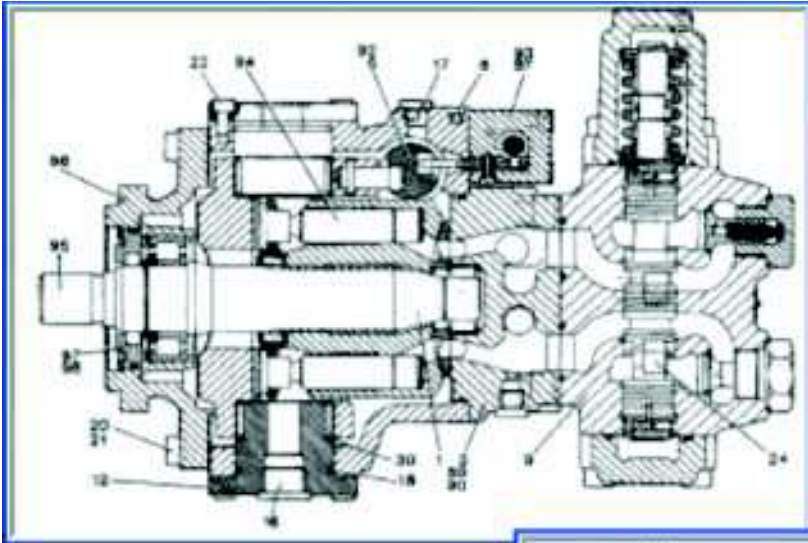


Remark: All manufacturers names, numbers descriptions are used for reference purposes only and it is not implied that any of the parts listed is the product of Bosch,Rexroth,Hydromatik,Brueninghaus,Uchida,Linde,Sauer,Liebherr,Vickers,Kawasaki..



Spare parts for Liebherr build units LPVD & LMV.

Liebherr



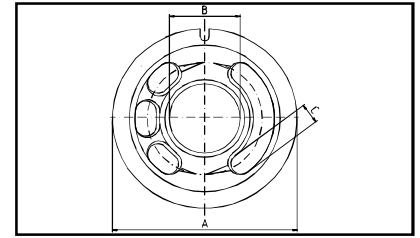
Remark: All manufacturers names, numbers descriptions are used for reference purposes only and it is not implied that any of the parts listed is the product of Bosch,Rexroth,Hydromatik,Brueninghaus,Uchida,Linde,Sauer,Liebherr,Vickers,Kawasaki..

Liebherr

Port plate - Liebherr

Parts used for: LPVD

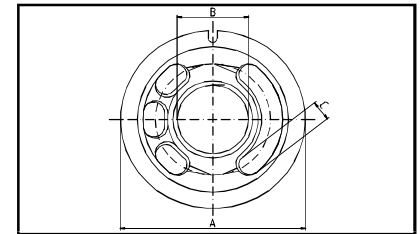
Model	Size	Partnumber	A	B	C
LPVD	45 L	MH - 115278	85,00	30,00	8,70
LPVD	64 L	MH - 66379	96,00	35,00	12,00
LPVD	90 L	MH - 115304	104,00	40,00	12,00
LPVD	100 L	MH - 115308	104,00	40,00	12,50
LPVD	125 L	MH - 115310	120,00	42,00	12,00
LPVD	140 L	MH - 115311	120,00	42,00	13,60



Port plate - Liebherr

Parts used for: LPVD

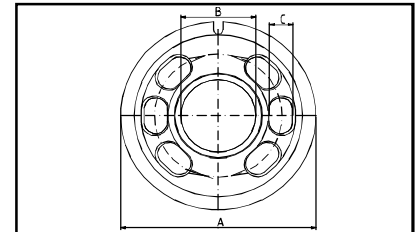
Model	Size	Partnumber	A	B	C
LPVD	45 R	MH - 115279	85,00	30,00	8,70
LPVD	64 R	MH - 66380	96,00	35,00	12,00
LPVD	90 R	MH - 115305	104,00	40,00	12,00
LPVD	100 R	MH - 115307	104,00	40,00	12,50
LPVD	125 R	MH - 115309	120,00	42,00	12,00
LPVD	140 R	MH - 115312	120,00	42,00	13,60



Port plate - Liebherr

Parts used for: LMV

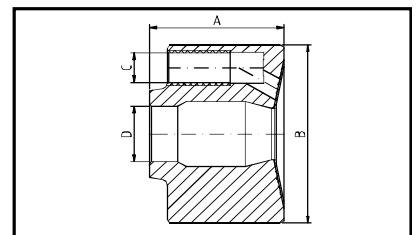
Model	Size	Partnumber	A	B	C
LMV	45	MH - 115280	85,00	30,00	8,70
LMV	64	MH - 115281	96,00	35,00	12,00
LMV	90	MH - 115284	104,00	40,00	12,00
LMV	100	MH - 115306	104,00	40,00	12,50
LMV	125	MH - 74825	120,00	42,00	12,00
LMV	140	MH - 74827	120,00	42,00	13,60



Barrel BIMETAL - Liebherr

Parts used for: LPVD & LMV

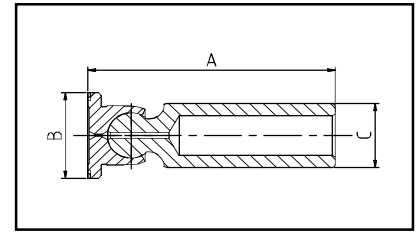
Model	Size	Partnumber	A	B	C	D
LPVD	45	MH - 128587	77,00	104,00	18,00	D=35 z=26
LPVD	64	MH - 128586	86,00	118,00	20,00	D=40 z=18
LPVD	90	MH - 72476	96,00	132,00	22,60	D=45 z=21
LPVD	100	MH - 115315	96,00	135,00	24,00	D=47 z=22
LPVD	125	MH - 115314	107,00	148,00	25,20	D=46 z=24
LPVD	140	MH - 115313	107,00	150,00	26,60	D=48 z=24



Piston - Liebherr

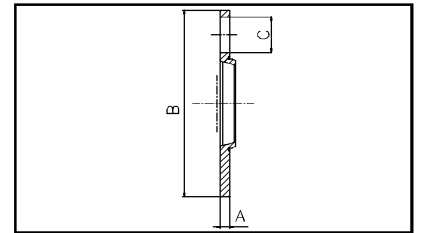
Parts used for: LPVD & LMV

Model	Size	Partnumber	A	B	C
LPVD	45	MH - 66548	24,00	66,00	18,00
LPVD	64	MH - 64416	27,00	73,00	20,00
LPVD	90	MH - 66698	30,50	83,00	22,60
LPVD	100	MH - 79444	32,50	88,00	24,00
LPVD	125	MH - 75508	34,20	92,00	25,20
LPVD	140	MH - 75509	37,40	96,00	26,60


Retainer plate - Liebherr

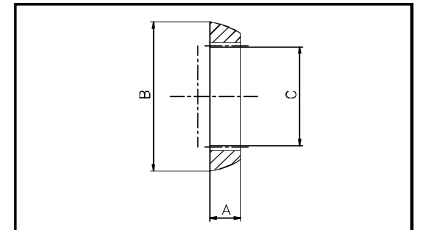
Parts used for: LPVD & LMV

Model	Size	Partnumber	A	B	C
LPVD	64	MH - 152276	6,00	118,00	21,00
LPVD	100	MH - 152281	7,00	135,00	25,00
LPVD	125	MH - 152284	8,00	148,00	25,00
LPVD	140	MH - 152286	8,00	151,00	28,00


Retainer ball - Liebherr

Parts used for: LPVD & LMV

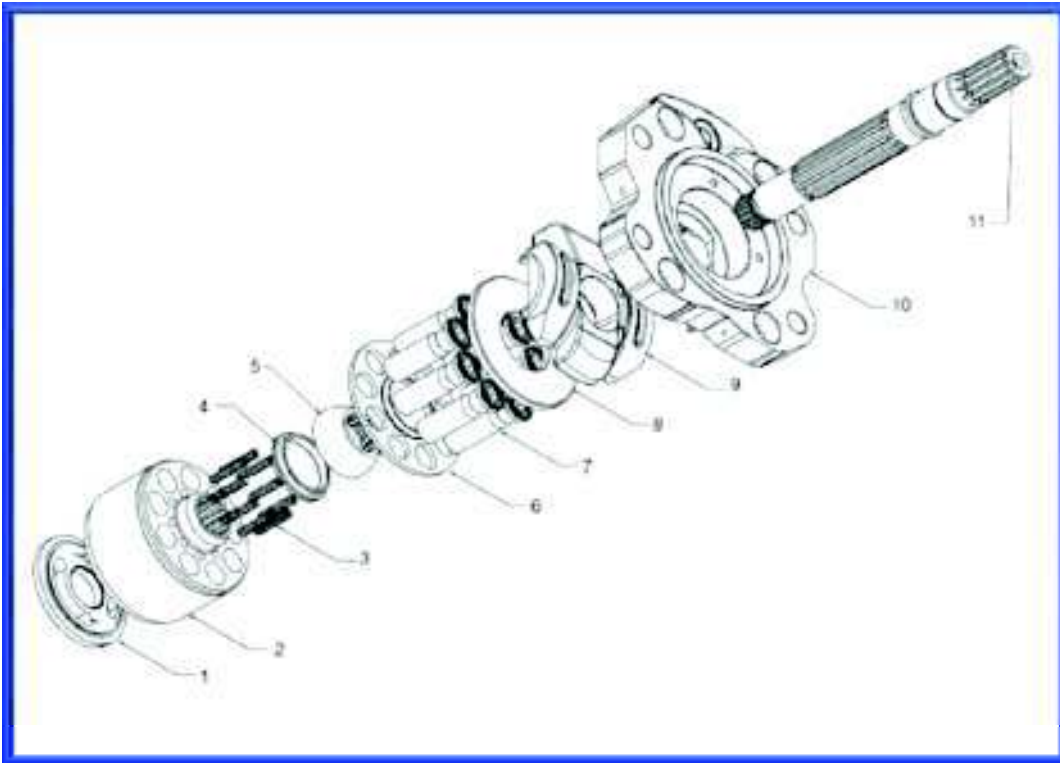
Model	Size	Partnumber	A	B	C
LPVD	64	MH - 152277	15,00	61,00	40,00
LPVD	100	MH - 152282	17,00	70,00	47,00
LPVD	125	MH - 152285	19,00	75,00	50,00
LPVD	140	MH - 152287	21,00	75,00	d=50 z=24





Spare parts for Kawasaki build units K3V models.

Kawasaki



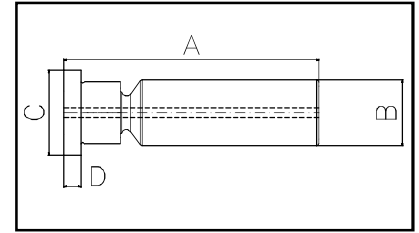
Remark: All manufacturers names, numbers descriptions are used for reference purposes only and it is not implied that any of the parts listed is the product of Bosch,Rexroth,Hydromatik,Brueninghaus,Uchida,Linde,Sauer,Liebherr,Vickers,Kawasaki..

Kawasaki

Piston - Kawasaki

Parts used for: K3V

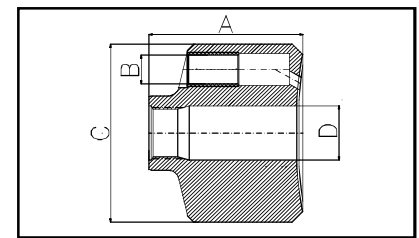
Model	Size	Partnumber	A	B	C	D
K3V	63	MH - 34158	70,00	20,00	25,40	4,00
K3V	112	MH - 115792	84,00	24,00	31,40	5,00
K3V	140	MH - 34138	96,40	25,00	34,90	5,50
K3V	180	MH - 34146	95,50	28,00	35,40	5,50



Barrel - Kawasaki

Parts used for: K3V **only in combination with port plate**

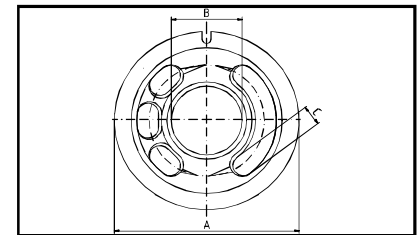
Model	Size	Partnumber	A	B	C	D
K3V	63	**	82,00	20,00	109,00	33,90
K3V	112	**	100,00	24,00	134,00	40,60
K3V	140	**	119,00	25,00	154,00	46,00
K3V	180	**	119,00	28,00	150,00	46,00



Port plate - Kawasaki

Parts used for: K3V **only in combination with barrel**

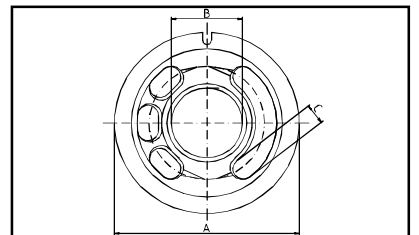
Model	Size	Partnumber	A	B	C
K3V	63 L	MH - 65279	90,00	32,50	11,00
K3V	112 L	MH - 36741	110,00	40,00	13,00
K3V	140 L	MH - 73346	125,00	46,00	12,60
K3V	180 L	MH - 144214	125,00	46,00	15,00



Port plate - Kawasaki

Parts used for: K3V **only in combination with barrel**

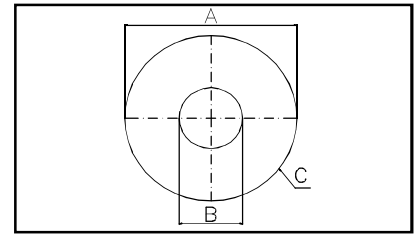
Model	Size	Partnumber	A	B	C
K3V	63 R	MH - 65278	90,00	32,50	11,00
K3V	112 R	MH - 36719	110,00	40,00	13,00
K3V	140 R	MH - 67659	125,00	46,00	12,60
K3V	180 R	MH - 68231	125,00	46,00	15,00



Shoe plate - Kawasaki

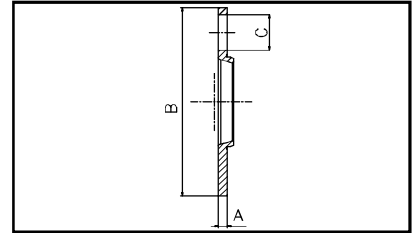
Parts used for: K3V

Model	Size	Partnumber	A	B	C
K3V	63	MH - 68225	110,00	54,00	7,20
K3V	112	MH - 53397	132,00	61,60	8,00
K3V	140	MH - 67676	150,00	72,20	8,00
K3V	180	MH - 68232	150,00	72,00	8,00


Retainer plate - Kawasaki

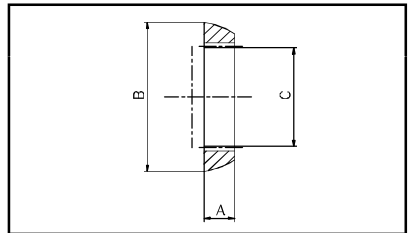
Parts used for: K3V **only in combination with Retaining ball**

Model	Size	Partnumber	A	B	C
K3V	63	**	4,20	107,60	21,10
K3V	112	**	6,20	131,70	25,60
K3V	140	**	6,20	150,00	28,30
K3V	180	**	6,20	150,00	28,30


Retaining ball - Kawasaki

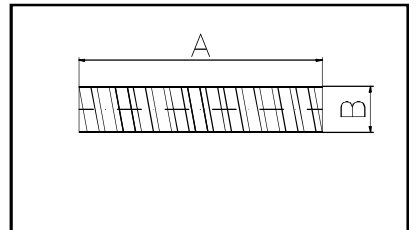
Parts used for: K3V **only in combination with retainer plate**

Model	Size	Partnumber	A	B	C	Z
K3V	63	MH - 68224	19,60	47,60	21,00	11
K3V	112	MH - 68223	23,00	60,00	40,00	14
K3V	140	MH - 67660	26,50	66,60	44,00	16
K3V	180	MH - 34148	26,50	66,60	44,00	16


Coil spring - Kawasaki

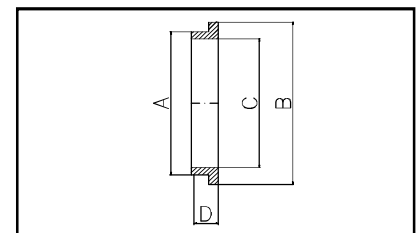
Parts used for: K3V

Model	Size	Partnumber	A	B
K3V	63	MH - 117791	31,30	7,50
K3V	112	MH - 144242	41,50	8,30
K3V	140	MH - 147322	48,50	9,50
K3V	180	MH - 152198	40,50	8,60


Spacer - Kawasaki

Parts used for: K3V

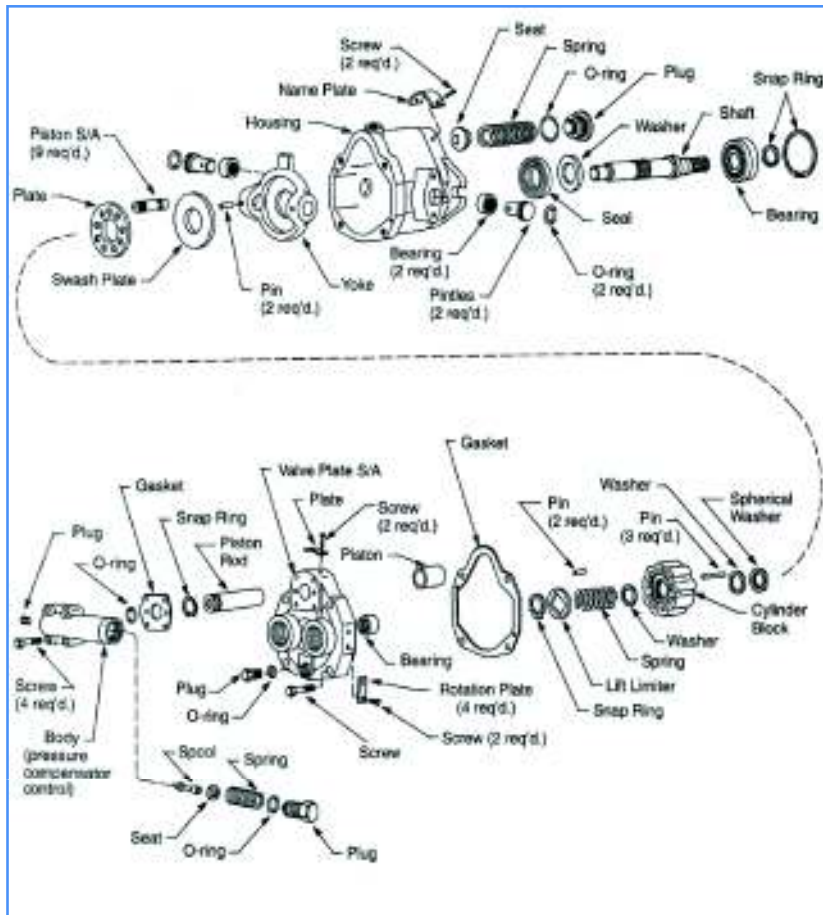
Model	Size	Partnumber	A	B	C	D
K3V	63	MH - 107775	48,00	56,00	43,00	8,50
K3V	112	MH - 138909	60,00	67,90	43,30	11,00
K3V	140	MH - 146787	67,00	78,50	60,30	10,30
K3V	180	MH - 148978	67,00	78,50	61,20	10,30



Spare parts & complete units for Vickers units



Vickers series PVB



PVB 5/6

Partnumber	Description
MH - 37465	REAR BEARING
MH - 36751	FRONT BEARING
MH - 33927	S.P. BEARING
MH - 39440	CYLINDER BLOCK 5
MH - 119245	CYLINDER BLOCK 6
MH - 63455	PIN (3 REQ'D)
MH - 33919	BALL GUIDE
MH - 63437	SHOE PLATE
MH - 63458	PISTON SUBASSY KIT 5
MH - 39447	PISTON SUBASSY KIT 6
MH - 39428	SWASH PLATE
MH - 35389	ROTATING GROUP 5
MH - 67460	ROTATING GROUP 6
MH - 33971	SEAL KIT
MH - 39427	PINTLE (C-COMP.)
MH - 36725	SHAFT

Remark: All manufacturers names, numbers descriptions are used for reference purposes only and it is not implied that any of the parts listed is the product of Bosch, Rexroth, Hydromatik, Brueninghaus, Uchida, Linde, Sauer, Liebherr, Vickers, Kawasaki..

PVB 10/15 :

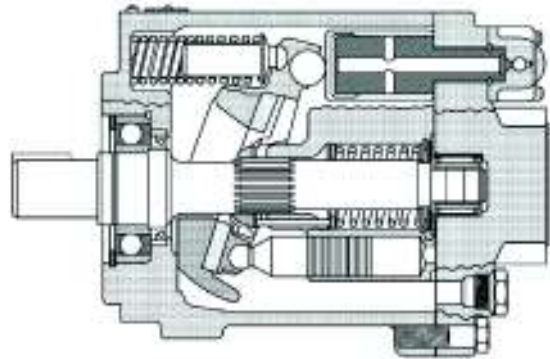
Partnumber	Description
MH - 37452	REAR BEARING
MH - 36756	FRONT BEARING
MH - 37452	S.P. BEARING
MH - 33981	SEAL KIT
MH - 36825	CYLINDER BLOCK 10
MH - 33917	CYLINDER BLOCK 15
MH - 36693	PIN (3 REQ'D)
MH - 37035	BALL GUIDE
MH - 36735	SHOE PLATE
MH - 37426	PISTON SUBASSY KIT 10
MH - 37422	PISTON SUBASSY KIT 15
MH - 33913	SWASH PLATE
MH - 37410	ROTATING GROUP 10
MH - 37366	ROTATING GROUP 15
MH - 36718	PINTLE (C-COMP.)
MH - 36729	SHAFT

PVB 20/29 :

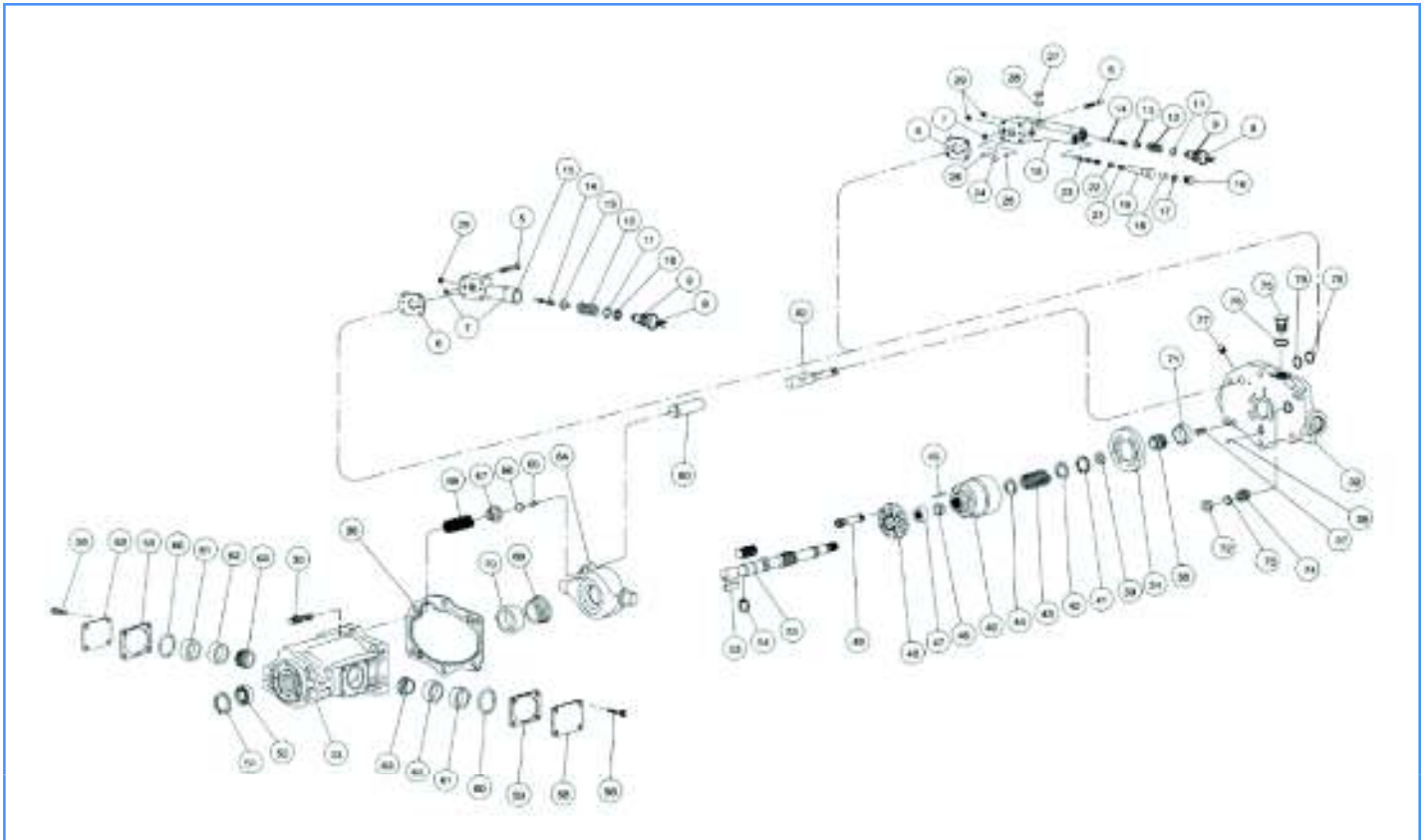
Partnumber	Description
MH - 33983	SEAL KIT
MH - 36702	REAR BEARING
MH - 33929	S.P. BEARING
MH - 36749	FRONT BEARING
MH - 36695	PIN (3 REQ'D)
MH - 54492	BALL GUIDE
MH - 36690	SHOE PLATE
MH - 36647	SWASH PLATE
MH - 156143	CYLINDER BLOCK 20
MH - 36712	CYLINDER BLOCK 29
MH - 35731	PISTON SUBASSY KIT 20
MH - 37424	PISTON SUBASSY KIT 29
MH - 37404	ROTATING GROUP 20
MH - 38673	ROTATING GROUP 29
MH - 33901	PLUG
MH - 36886	YOKE PINTLE
MH - 36870	SHAFT

PVB 45-(F)*SF-20-C(*)(*)-11-(S67)

Partnumber	Description
MH - 37260	SEAL KIT
MH - 72444	REAR BEARING
MH - 36762	S.P. BEARING
MH - 72445	FRONT BEARING
MH - 75252	PIN (5 REQ'D)
MH - 36659	BALL GUIDE
MH - 36723	RETAINER PLATE
MH - 130843	SHOE PLATE
MH - 142169	YOKE
MH - 39491	CYLINDER BLOCK
MH - 35519	PISTON SUBASSY KIT
MH - 37410	ROTATING GROUP
MH - 64682	YOKE PINTLE
MH - 77385	SHAFT



Remark: All manufacturers names, numbers descriptions are used for reference purposes only and it is not implied that any of the parts listed is the product of Bosch,Rexroth,Hydromatik,Brueninghaus,Uchida,Linde,Sauer,Liebherr,Vickers,Kawasaki..

Vickers series PVE

PVE 19 & 21

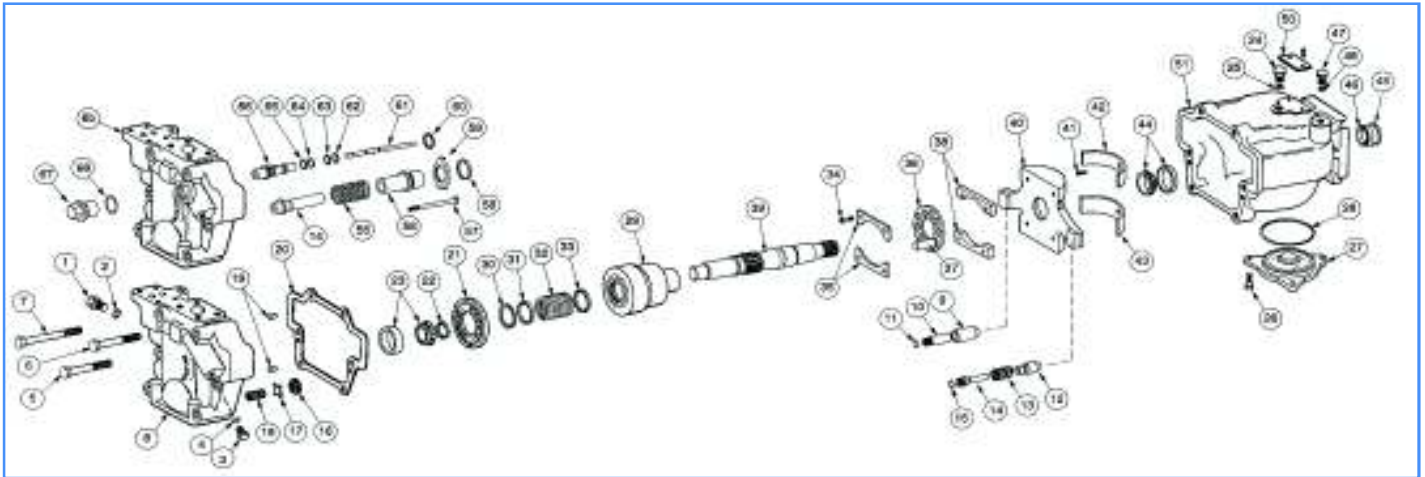
Partnumber	Description
MH - 37398	Yoke bearing kit
MH - 36950	Bearing S/A
MH - 37075	Bearing S/A
MH - 69026	Yoke
MH - 31448	Shoe plate
MH - 39429	Spherical-washer
MH - 83166	Shaft PVE**-1
MH - 37037	Shaft PVE**-2
MH - 69107	Shaft PVE**-9
MH - 37043	Cyl.block 19
MH - 114906	Cyl.block 21
MH - 30086	Piston shoe S/A 19
MH - 79421	Piston shoe S/A 21
MH - 34071	Seal kit
MH - 37330	Seal kit PVE*W
MH - 34069	Rot.group 19

Remark: All manufacturers names, numbers descriptions are used for reference purposes only and it is not implied that any of the parts listed is the product of Bosch,Rexroth,Hydromatik,Brueninghaus,Uchida,Linde,Sauer,Liebherr,Vickers,Kawasaki..

PVE 19 & 21

MH - 37385	Rot.group 21
MH - 83167	Rot. Grp. Kit 19 (Q1210)
MH - 34069	Rot. Grp. Kit 19 (Q1830)
MH - 64537	Wafer plate R 19
MH - 69106	Wafer plate L 19
MH - 79623	Wafer plate R 21
MH - 75349	Wafer plate L 21
MH - 83168	Wafer plate PVE19RW-Q1210
MH - 75970	Wafer plate PVE19RW-Q1830
MH - 83170	Wafer plate PVE19LW-Q1830



Vickers series PVH

PVH 57

Partnumber	Description
MH - 139899	Piston kit
MH - 156276	Cylinder block
MH - 37226	Rotating group kit
MH - 153281	Valve plate RH 57
MH - 117407	Valve plate LH 57
MH - 62475	Saddle bearing
MH - 62474	Saddle bearing
MH - 117408	Yoke
MH - 156280	Control piston
MH - 156281	Bias piston
MH - 37458	Seal kit
MH - 67978	Bearing kit

PVH 74

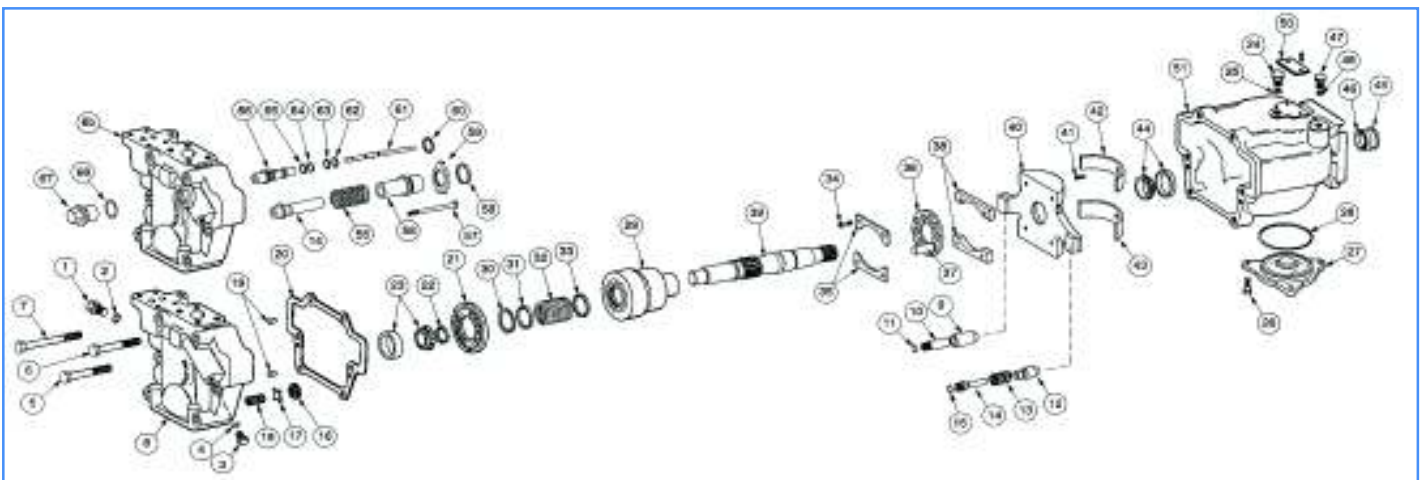
Partnumber	Description
MH - 30088	Piston kit
MH - 143466	Cylinder block
MH - 37230	Rotating group kit
MH - 71442	Valve plate RH 74
MH - 71326	Valve plate LH 74
MH - 139907	Saddle bearing
MH - 139906	Saddle bearing
MH - 139904	Yoke
MH - 140271	Control piston
MH - 140272	Bias piston
MH - 73228	Seal kit
MH - 76374	Bearing kit

PVH 98

Partnumber	Description
MH - 37402	Piston kit
MH - 79977	Cylinder block
MH - 37232	Rotating group kit
MH - 82703	Valve plate RH 98
MH - 82702	Valve plate LH 98
MH - 117268	Saddle bearing
MH - 117267	Saddle bearing
MH - 115129	Yoke
MH - 68776	Control piston
MH - 68777	Bias piston
MH - 79032	Seal kit
MH - 116141	Bearing kit

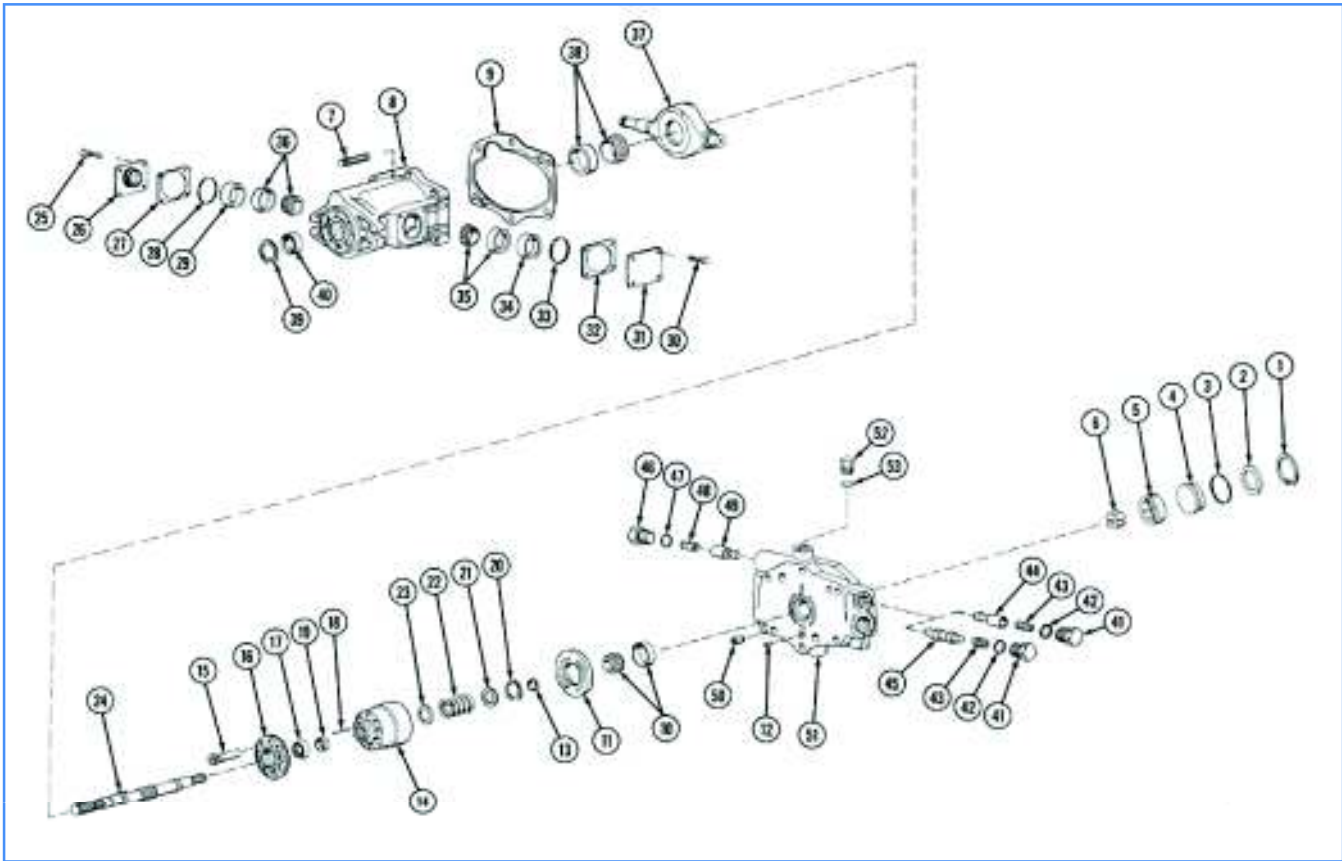
PVH 131

Partnumber	Description
MH - 140315	Piston kit
MH - 143651	Cylinder block
MH - 37223	Rotating group kit
MH - 156278	Valve plate RH 131
MH - 73385	Valve plate LH 131
MH - 76504	Saddle bearing
MH - 76505	Saddle bearing
MH - 73389	Yoke
MH - 73714	Control piston
MH - 73943	Bias piston
MH - 73384	Seal kit
MH - 73383	Bearing kit



Remark: All manufacturers names, numbers descriptions are used for reference purposes only and it is not implied that any of the parts listed is the product of Bosch, Rexroth, Hydromatik, Brueninghaus, Uchida, Linde, Sauer, Liebherr, Vickers, Kawasaki..

Vickers series TA

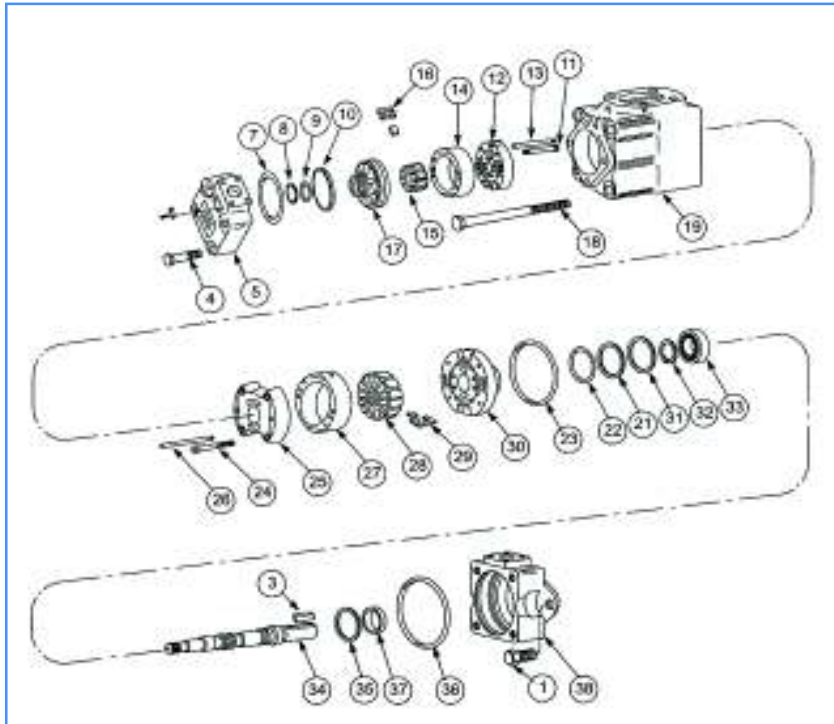


TA 19 / TA 1919

Partnumber	Description
MH - 37398	Pintle Bearingset
MH - 36950	Bearing
MH - 37075	Bearing
MH - 33951	Pintle Cover Seal
MH - 63921	Shaft
MH - 78185	Shaft
MH - 65407	Shaft
MH - 30086	Piston Shoe S/A Kit
MH - 31448	Shoe Plate
MH - 39429	Spherical Washer
MH - 39451	Pin (3 Req'D)
MH - 81969	Cylinder Block
MH - 39866	Wafer Plate R.H.
MH - 33959	Wafer Plate L.H.
MH - 40356	Rotating Group Kit
MH - 37380	Seal Kit (double)
MH - 34065	Seal Kit (single)
MH - 36929	Yoke

Remark: All manufacturers names, numbers descriptions are used for reference purposes only and it is not implied that any of the parts listed is the product of Bosch,Rexroth,Hydromatik,Brueninghaus,Uchida,Linde,Sauer,Liebherr,Vickers,Kawasaki..

Vickers VANE series



SHAFTS

Partnumber	Description
MH - 35859	2520V1
MH - 35813	3520V1
MH - 38220	3525V1
MH - 36708	4520V1
MH - 39780	4525V1
MH - 40438	4535V1
MH - 36704	2520V11
MH - 36709	3520V11
MH - 36893	3520V86
MH - 36672	3525V11
MH - 36891	3525V86
MH - 40097	4520V11
MH - 36860	4520V86
MH - 36638	4525V11
MH - 36862	4525V86
MH - 36759	4535V11
MH - 36864	4535V86
MH - 36644	25V1
MH - 36665	25V3
MH - 36640	35V1
MH - 36636	45V1
MH - 36646	25V11

Remark: All manufacturers names, numbers descriptions are used for reference purposes only and it is not implied that any of the parts listed is the product of Bosch,Rexroth,Hydromatik,Brueninghaus,Uchida,Linde,Sauer,Liebherr,Vickers,Kawasaki..

SHAFTS

Partnumber	Description
MH - 36664	35V11
MH - 36890	35V86
MH - 36669	45V11
MH - 36858	45V86

CARTRIDGE KITS FOR MOBILE (VQ) PUMPS

Partnumber	Description
MH-37902	20VQ5
MH-36931	20VQ8
MH-37031	20VQ9
MH-36318	20VQ11
MH-33941	20VQ12
MH-36927	20VQ14
MH-30154	25VQ12
MH-33945	25VQ14
MH-33947	25VQ17
MH-36952	25VQ19
MH-33949	25VQ21
MH-36917	35VQ21
MH-33938	35VQ25
MH-36786	35VQ30
MH-33936	35VQ35
MH-37828	35VQ38
MH-33943	45VQ42
MH-36954	45VQ47
MH-37239	45VQ50
MH-39754	45VQ57
MH-40259	45VQ60


CARTRIDGE KITS FOR INDUSTRIAL (VS) PUMPS

Partnumber	Description
MH-37170	20V5
MH-30166	20V8
MH-36364	20V11
MH-30168	20V12
MH-30170	20V14
MH-38249	25VS12
MH-40049	25VS14
MH-33961	25VS17
MH-38219	25VS21
MH-38217	35VS25
MH-40051	35VS30

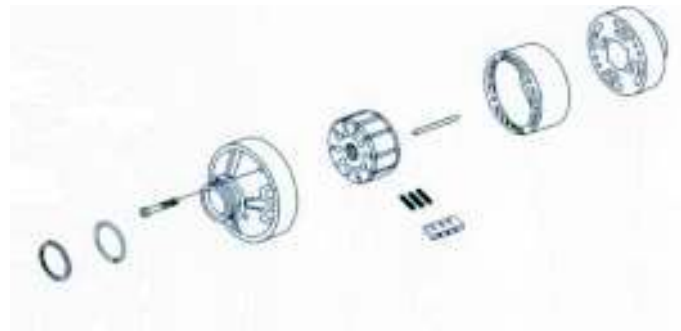


CARTRIDGE KITS FOR INDUSTRIAL (VS) PUMPS

Partnumber	Description
MH-30172	35VS35
MH-39513	35VS38
MH-33987	45VS42
MH-38631	45VS50
MH-34812	45VS60

CARTRIDGE KITS FOR MOTORS

Partnumber	Description
NW - 144252	25M42
NW - 73939	25M55
NW - 155248	25M65
NW - 155249	35M80
NW - 64974	35M95
NW - 80641	35M115
NW - 116843	45M130
NW - 155250	45M155
NW - 82683	45M185
NW - 82432	50M220
NW - 153575	50M255
NW - 37360	50M300


SEAL KITS

Partnumber	Description
MH - 34025	35V
MH - 38697	45V
MH - 38271	25VQ
MH - 33989	35VQ
MH - 37686	45VQ
MH - 37862	2520V
MH - 37906	3520V
MH - 37350	3525V
MH - 37352	4520V
MH - 34027	4525V
MH - 34029	4535V
MH - 34021	25/30V
MH - 37904	2520VQ
MH - 34456	3525VQ
MH - 37310	4520VQ
MH - 33993	4525VQ
MH - 39711	4535VQ
MH - 34051	25M
MH - 34053	35M

SEAL KITS

Partnumber	Description
MH - 34047	45M
MH - 37358	50M
MH - 141146	F8-25M

SHAFT SEALS

Partnumber	Description
MH - 38222	35V
MH - 31961	45V
MH - 37058	25VV
MH - 37046	35VS
MH - 38681	25/30V
MH - 37052	25VS
MH - 37055	35VV
MH - 37049	45VS
MH - 37057	45VV
MH - 38681	25M
MH - 38222	35M
MH - 31961	45M
MH - 140378	F8-25M

BEARINGS

Partnumber	Description
MH - 37463	35V
MH - 39756	45V
MH - 33895	25/30V
MH - 36632	26/31V



Remark: All manufacturers names, numbers descriptions are used for reference purposes only and it is not implied that any of the parts listed is the product of Bosch,Rexroth,Hydromatik,Brueninghaus,Uchida,Linde,Sauer,Liebherr,Vickers,Kawasaki..

VICKERS COMPLETE UNITS / PUMPS

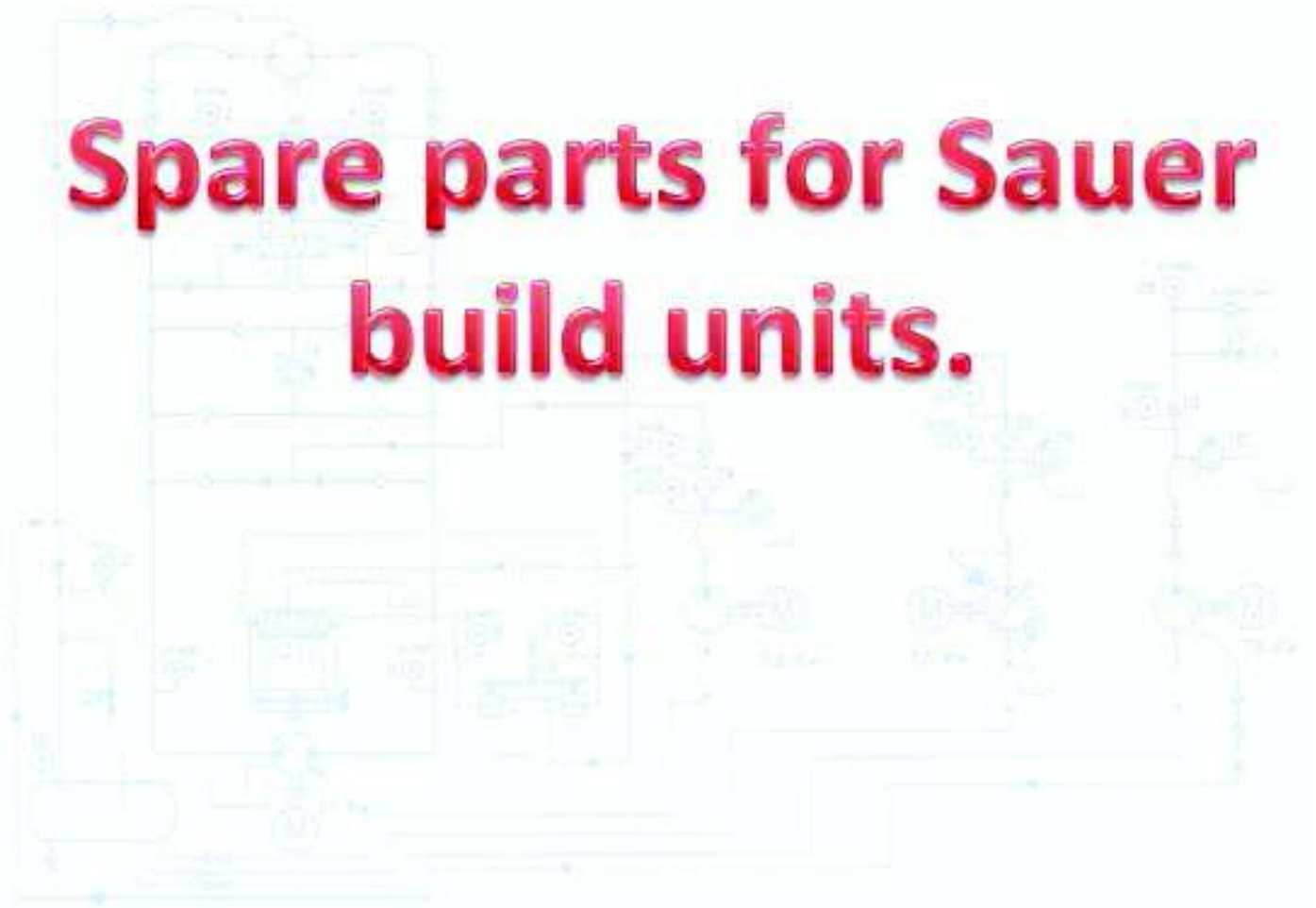
COMPLETE UNITS / PUMPS

Partnumber	Description
MH -	25V
MH -	35V
MH -	45V
MH -	2520V
MH -	3520V
MH -	3525V
MH -	4520V
MH -	4525V
MH -	4535V

COMPLETE UNITS / MOTORS

Partnumber	Description
MH -	25M
MH -	35M
MH -	45M

Spare parts for Sauer build units.



SAUER PARTS FOR SPV-SMF & SERIES 90
Piston - Sauer

Parts used for: 90

Model	Size	Partnumber
90	55	MH - 145259
90	75	MH - 145274
90	100	MH - 145288

Barrel - Sauer

Parts used for: 90

Model	Size	Partnumber
90	55	MH - 145256
90	75	MH - 145270
90	100	MH - 145284

Port plate - Sauer

Parts used for: 90

Model	Size	Partnumber
90	55 L	MH - 145257
90	55 R	MH - 145258
90	55 M	MH - 145260
90	75 L	MH - 145271
90	75 R	MH - 145272
90	75 M	MH - 145273
90	100 L	MH - 145285
90	100 R	MH - 145286
90	100 M	MH - 145287

Retainer plate - Sauer

Parts used for: 90

Model	Size	Partnumber
90	55	MH - 145261
90	75	MH - 145275
90	100	MH - 145289

Retainer guide - Sauer

Parts used for: 90

Model	Size	Partnumber
90	55	MH - 142266
90	75	MH - 145280
90	100	MH - 145294



Shaft - Sauer

Parts used for: 90

Model	Size	Partnumber
90	55	MH - 145262
90	75	MH - 145276
90	100	MH - 145290



Kit - Barrel + pistons + retainer plate - Sauer

Parts used for: 90

Model	Size	Partnumber
90	55	MH - 145269
90	75	MH - 145283
90	100	MH - 145297

SAUER PARTS FOR SPV-SMF

Piston - Sauer

Parts used for: SPV & SMF

Model	Size	Partnumber
SPV	20	MH - 152538
SPV	21	MH - 152547
SPV	22	MH - 152565
SPV	23	MH - 152579
SPV	24	MH - 152591
SPV	25	MH - 152599



Barrel - Sauer

Parts used for: SPV & SMF

Model	Size	Partnumber
SPV	20	MH - 152537
SPV	21	MH - 152546
SPV	22	MH - 152561
SPV	23	MH - 152575
SPV	24	MH - 152589
SPV	25	MH - 152597



Remark: All manufacturers names, numbers descriptions are used for reference purposes only and it is not implied that any of the parts listed is the product of Bosch,Rexroth,Hydromatik,Brueninghaus,Uchida,Linde,Sauer,Liebherr,Vickers,Kawasaki..

Port plate - Sauer

Parts used for: SPV & SMF

Model	Size	Partnumber
SPV	20L	MH - 154111
SMF	20M	MH - 154112
SPV	20R	MH - 152541
SPV	21L	MH - 152550
SMF	21M	MH - 154113
SPV	21R	MH - 154076
SPV	22L	MH - 154117
SMF	22M	MH - 154116
SPV	22R	MH - 152573
SPV	23L	MH - 154124
SMF	23M	MH - 154125
SPV	23R	MH - 152586
SPV	24L	MH - 154118
SMF	24M	MH - 154119
SPV	24R	MH - 152595
SPV	25L	MH - 154114
SMF	25M	MH - 154115
SPV	25R	MH - 152602



Retainer ball - Sauer

Parts used for: SPV & SMF

Model	Size	Partnumber
SPV	20	MH - 152540
SPV	21	MH - 152549
SPV	22	MH - 152560
SPV	23	MH - 152574
SPV	24	MH - 152588
SPV	25	MH - 152596

Retainer plate - Sauer

Parts used for: SPV & SMF

Model	Size	Partnumber
SPV	20	MH - 152539
SPV	21	MH - 152548
SPV	22	MH - 152566
SPV	23	MH - 152580
SPV	24	MH - 152592
SPV	25	MH - 152600

Remark: All manufacturers names, numbers descriptions are used for reference purposes only and it is not implied that any of the parts listed is the product of Bosch,Rexroth,Hydromatik,Brueninghaus,Uchida,Linde,Sauer,Liebherr,Vickers,Kawasaki..

Bearing plate - Sauer

Parts used for: SPV & SMF

Model	Size	Partnumber
SPV	20	MH - 152543
SPV	21	MH - 152552
SPV	22	MH - 152562
SPV	23	MH - 152576
SPV	24	MH - 152590
SPV	25	MH - 152598

Thrust plate - Sauer

Parts used for: SPV & SMF

Model	Size	Partnumber
SPV	20	MH - 152542
SPV	21	MH - 152551
SPV	22	MH - 152571
SPV	23	MH - 152585
SPV	24	MH - 152594
SPV	25	MH - 152601

Chargepump - Sauer

Parts used for: SPV & SMF

Model	Size	Partnumber
SPV	20-23 R	MH - 152577
SPV	20-23 L	MH - 152563

Mechanical seal - Sauer

Parts used for: SPV & SMF

Model	Size	Partnumber
SPV	20/21/22	MH - 152544
SPV	23/24	MH - 152582

Seal kit - Sauer

Parts used for: SPV

Model	Size	Partnumber
SPV	20	MH - 33526
SPV	21	MH - 33528
SPV	22	MH - 33538
SPV	23	MH - 39414
SPV	24	MH - 33544
SPV	25	MH - 33546





Seal kit - Sauer

Parts used for: SMF

Model	Size	Partnumber
SMF	20	MH - 33594
SMF	21	MH - 33596
SMF	22	MH - 33598
SMF	23	MH - 33602
SMF	24	MH - 33604
SMF	25	MH - 34139



Remark: All manufacturers names, numbers descriptions are used for reference purposes only and it is not implied that any of the parts listed is the product of Bosch,Rexroth,Hydromatik,Brueninghaus,Uchida,Linde,Sauer,Liebherr,Vickers,Kawasaki..



Remark: All manufacturers names, numbers descriptions are used for reference purposes only and it is not implied that any of the parts listed is the product of Bosch,Rexroth,Hydromatik,Brueninghaus,Uchida,Linde,Sauer,Liebherr,Vickers,Kawasaki..



Remark: All manufacturers names, numbers descriptions are used for reference purposes only and it is not implied that any of the parts listed is the product of Bosch,Rexroth,Hydromatik,Brueninghaus,Uchida,Linde,Sauer,Liebherr,Vickers,Kawasaki..



Remark: All manufacturers names, numbers descriptions are used for reference purposes only and it is not implied that any of the parts listed is the product of Bosch,Rexroth,Hydromatik,Brueninghaus,Uchida,Linde,Sauer,Liebherr,Vickers,Kawasaki..